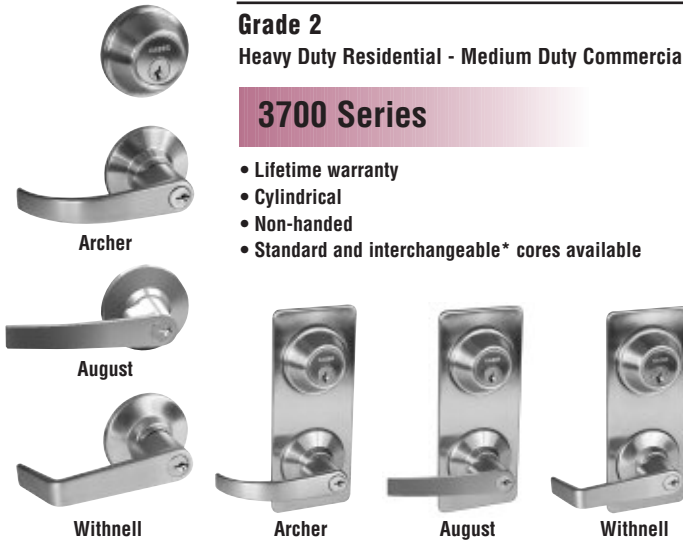




Grade 2 Heavy Duty Residential - Medium Duty Commercial

3700 Series

- Lifetime warranty
- Cylindrical
- Non-handed
- Standard and interchangeable* cores available



Standard Door Prep: • 2 1/8" (54 mm) Diameter (Cross Bore)
• Latch Hole: 1" (25.4 mm) Diameter (Edge Bore)

Certifications: • BHMA Certified ANSI A156.12 Grade 2
• ADA Compliant ANSI A117.1 Accessibility Code
• UL/cUL Listed for all functions up to 3 hours for "A" label single doors
• UL10C/UBC 7-2 (1997) Positive Pressure Rated
• UL10B Neutral Pressure Rated

Exposed Trim: • Wrought Brass or Bronze, cast zinc lever

Lock Chassis: • Heavy gauge steel, zinc dichromated
• Thru-bolt mounting

Rose Diameter: • 2 1/2" (63 mm)

Inside Escutcheon: • 3 1/16" x 7 15/16" x 3/8" (78 mm x 202 mm x 10 mm)

Outside Escutcheon: • 3 5/16" x 7 15/16" x 3/8" (84 mm x 202 mm x 10 mm)

Keys: • Two brass keys per lock

Cylinders: • Brass 6 pin - Keyed Different - C Keyway
• Keyed 5-pin - Standard
• Other keying options available from the factory
• Interchangeable Core - Brass 6 or 7 pin - uncombined and combined - sold separately

Door Thickness: • 1 3/8" (35 mm) - 1 3/4" (45 mm) - Standard
• 2" (52 mm) Doors - Optional

Backsets: • 2 3/4" (70 mm) - Standard
• 2 3/8" (60 mm) - Optional

Latchbolt: • 1/2" (13 mm) Throw - Stainless Steel
• 2 1/4" (57 mm) x 1 1/8" (29 mm) Faceplate for 2 3/4" (70 mm) backset
• 2 1/4" (57 mm) x 1" (25.4 mm) Faceplate for 2 3/8" (60 mm) backset
• Deadlocking latchbolt prevents manipulation when door is closed; keyed functions only







Strikes: • 3933 Square Corner T-Strike with Plastic Dust Box, 1 1/8" (29 mm) x 2 3/4" (70 mm) - Standard
• 3930 Square Corner Strike Plate with Dust Box, 1 1/8" (29 mm) x 2 3/4" (70 mm) - Standard

Functions: • 10 Single Locking Entry
• 53 Double Locking Entry






Options: • Tactile Knurling
• Split Lever Design

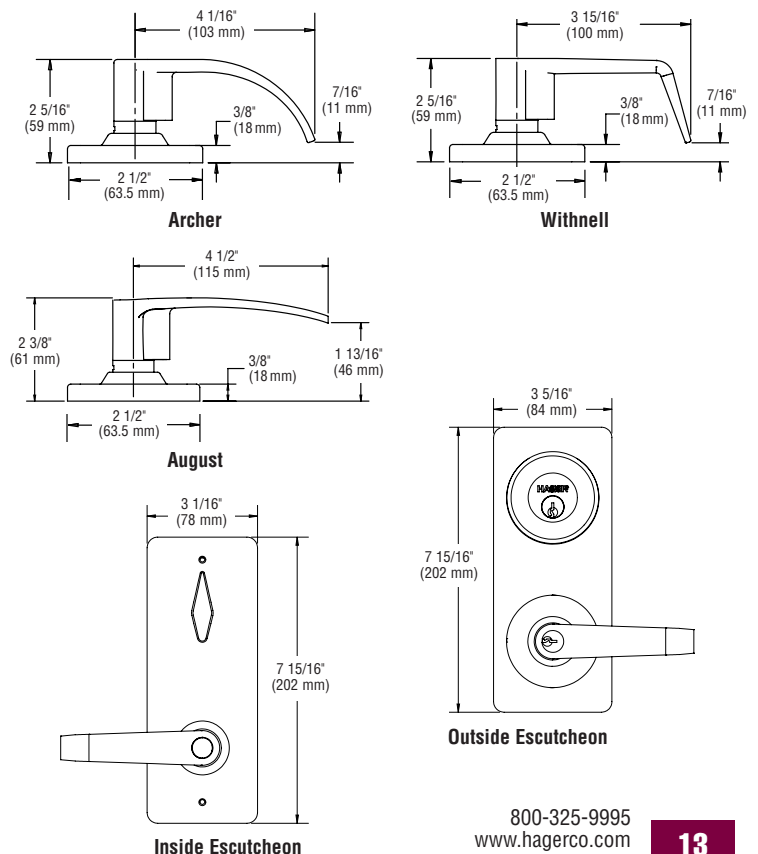
Finishes: • US3, US4, US10, US10B, US26, US26D

Optional Latchbolts

	3949 2 3/8" (60 mm) Square or Round Corner, Spring Latch - Passage Only
	3947 2 3/4" (70 mm) Square or Round Corner, Spring Latch - Passage Only - Standard
	3950 2 3/8" (60 mm) Square or Round Corner, Dead Latch
	3948 2 3/4" (70 mm) Square or Round Corner, Dead Latch - Standard
	3940 2 3/4" (70 mm) Square or Round Corner, Deadbolt - Standard
	3941 2 3/8" (60 mm) Square or Round Corner, Deadbolt - Standard

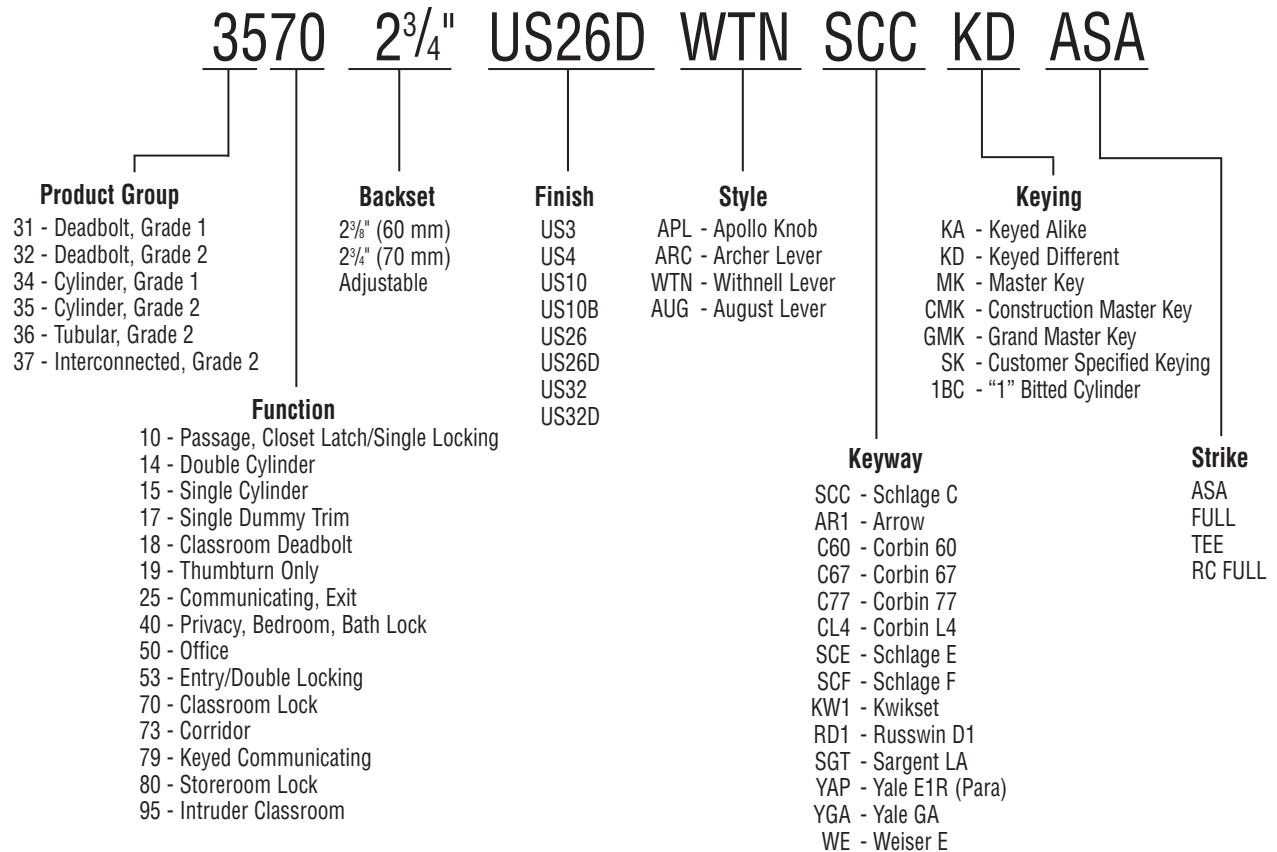
Optional Strikes

	3933 T-Strike with Plastic Dust Box - Standard 1 1/8" (29 mm) x 2 3/4" (70 mm)
	3934 Full Lip Strike 1 5/8" (41 mm) x 2 1/4" (57 mm)
	3958 Full Lip Strike, Round Corner 1 5/8" (41 mm) x 2 1/4" (57 mm)
	3930 Strike Plate 1 1/8" (29 mm) x 2 3/4" (70 mm)
	3959 Faceplate Adapter 1" (25.4 mm) to 1 1/8" (28 mm) width





HOW TO ORDER



NOTE: Not all functions are available for each product group. Please refer to the individual product pages for function availability.

DEADBOLT FUNCTION CHART

FUNCTION	FUNCTION NO.	FUNCTION DESCRIPTION	ANSI NO.	
Double (3100 & 3200)	14	Deadbolt thrown or retracted by key from either side. Bolt automatically deadlocks when fully thrown.	E2141 E2142	
Single (3100 & 3200)	15	Deadbolt thrown or retracted by key from outside or by inside turn unit. Bolt automatically deadlocks when fully thrown.	E2151 E2152	
Classroom (3100)	18	Deadbolt thrown or retracted by key from outside. Inside turn unit will retract bolt only. Bolt automatically deadlocks when fully thrown.	E2171	
Thumbturn (no cylinder) (3200)	19	Deadbolt thrown or retracted by turn unit only. No outside trim. Bolt automatically deadlocks when fully thrown.	E2192	



Locks






General Information

LOCK FUNCTION CHART

FUNCTION	FUNCTION NO.	FUNCTION DESCRIPTION	ANSI NO.	
Keyed				
Office - Levers Only (3400 & 3500)	50	Push-button locking. Push-button locks outside lever until unlocked with key or by rotating inside lever.	F82	
Entry (3400 & 3500)	53	Deadlocking latchbolt operated by lever from either side except when outside lever is locked by the push or turn button inside. Key outside or operating inside lever releases push or turn button unlocking outside lever except when push or turn button has been rotated to keep outside lever locked. Inside push or turn button must be manually operated to unlock outside lever. Inside lever always operates latchbolt.	F109	
Entry (3600)	53	Deadlocking latchbolt operated by lever from either side except when outside lever is locked by locking device on inside. When outside lever is locked, operating key in outside lever unlocks locking device. Locking device shall automatically release when inside lever is operated or be in the unlocked position before inside lever is operated.	F82B	
Classroom (3400, 3500, 3600)	70	Deadlocking latchbolt operated by lever from either side except when outside lever is locked from outside by key. When outside lever is locked, latchbolt is operated by inside lever.	F84	
Corridor (3400 & 3500)	73	Deadlocking latchbolt operated by lever from either side except when outside lever is locked by key in outside lever or by push button or other locking device on inside. Key in outside lever locks or unlocks outside lever. Operating inside lever releases push button or other locking device placed in a locked position. Closing door releases push button or other inside locking device. Inside lever always operates latchbolt.	F90	
Keyed Communicating - Levers Only (3500)	79	Deadlocking latchbolt by inside lever except when locked by key. Non-removable blank plate outside (¹³ / ₁₆ " (31 mm) projection).	F113	
Storeroom (3400, 3500, 3600)	80	Deadlocking latchbolt operated by key in outside lever, or by operating inside lever. Outside lever is always locked.	F86	
Intruder Classroom (3400)	95	Deadlocking latchbolt operated by lever from either side. Key either inside or outside locks or unlocks outside lever. Inside lever always operates latchbolt.	F110	



LOCK FUNCTION CHART

FUNCTION	FUNCTION NO.	FUNCTION DESCRIPTION	ANSI NO.	
Non-Keyed				
Passage (3400, 3500, 3600)	10	Latchbolt operated by lever from either side at all times.	F75	
Dummy (3400, 3500, 3600)	17	Pull knob one side, no mechanical operation.	—	
Exit - Levers Only (3500)	25	Blank plate outside (¹³ / ₁₆ " (31 mm) projection). Inside lever always unlocked.	F111	
Privacy (3400 & 3500)	40	Latchbolt operated by lever from either side. Outside lever is locked by push button and unlocked by emergency release outside, operating inside lever or closing door.	F76A	
Privacy (3600)	40	Latchbolt operated by lever from either side except when outside lever is locked by locking device inside. Locking device shall automatically release when inside lever is operated or be in the unlocked position before inside lever is operated. Emergency release on outside shall permit outside lever to operate latchbolt.	F76B	
Interconnected				
Interconnected Single Locking Entry - Levers Only (3700)	10	Latchbolt operated by lever from either side. Rotating turn from inside or key from outside extends deadbolt to locked position. Both deadbolt and latchbolt are retracted to unlocked position by operating inside lever.	F95	
Interconnected Double Locking Entry - Levers Only (3700)	53	Deadlocking latchbolt is operated by lever from either side except when outside lever is made inoperable by locking device inside. When outside lever is locked, deadlocking latchbolt is operated by key outside. Inside locking device is manually operated to unlock outside lever. Rotating turn from inside or key from outside extends deadbolt to locked position. Operating inside lever retracts both deadbolt and latchbolt. Closing door shall not release locking device inside.	F97	