



Locks

Mortise



Archer

William

Withnell

Grade 1 – Sectional



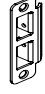

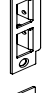
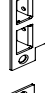
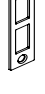
Heavy Duty Commercial, Industrial, Institutional

3800 Series

- Lifetime warranty
- Concealed thru-bolts
- Field reversible
- Standard and interchangeable cores available
- BHMA Certified Grade 1 Security with standard cylinder

- Standard Door Prep: • $3\frac{5}{8}$ " (92 mm) Center of cylinder to spindle
• $2\frac{7}{16}$ " (62 mm) Center of thumbturn to spindle
- Certifications: • BHMA Certified ANSI A156.13 Grade 1 Operational and Grade 1 Security
• ADA Compliant ANSI A117.1 Accessibility Code
• UL/cUL Listed for all functions up to 3 hours for "A" label doors
• UL10C/UBC 7-2 (1997) Positive Pressure Rated
• UL10B Neutral Pressure Rated
- Exposed Trim: • Cast Zinc - Standard
• Forged Brass, Cast Stainless Steel - Optional
- Lock Case: • $4\frac{5}{16}$ " x 6" x 1" (110 mm x 152 mm x 25.4 mm)
- Armor Front: • $1\frac{1}{4}$ " x 8" x $\frac{7}{32}$ " (32 mm x 203 mm x 5 mm) - Standard
• $1\frac{1}{16}$ " x 8" x $\frac{7}{32}$ " (27 mm x 203 mm x 5 mm) - Optional
- Rose Diameter: • $2\frac{7}{16}$ " (62 mm)
- Keys: • Two brass keys per lock
- Cylinders: • Brass 6-pin - Keyed Different - C Keyway
• Keyed 5-pin - Standard
• Other keying options available from factory
• Interchangeable Core - Brass 6 or 7 pin - uncombined and combined - sold separately
• Schlage "L" Cam - Standard
- Door Thickness: • $1\frac{3}{4}$ " (45 mm) - Standard
- Backset: • $2\frac{3}{4}$ " (70 mm) Only
- Latchbolt: • $\frac{3}{4}$ " (19 mm) Throw with anti-friction tongue, all Stainless Steel
- Deadbolt: • 1" (25.4 mm) Throw - Stainless Steel
- Strike: • 3985 $1\frac{1}{4}$ " (32 mm) x $4\frac{7}{8}$ " (124 mm), $1\frac{3}{16}$ " (30 mm) Lip - Standard
- Fasteners: • Thru-bolted trim concealed under rose
- Functions: • 10 Passage, 17 Dummy, 27 Double Dummy, 40 Privacy, 50 Office, 53 Entry, 57 Classroom Security, 60 Cylinder x Thumbturn, 62 Double Cylinder, 63 Classroom, 64 Cylinder, 70 Classroom, 80 Storeroom, 81 Storeroom with Deadbolt
- Option: • Tactile Knurling
• Lead lining
- Finishes: • US3, US4, US10, US10B, US26, US26D, US32D*
* For a true US32D, specify stainless steel levers.
• US3, US4, US10, US10B and US26 subject to extended lead time
- Notes: • Self-adjusting case for beveled doors
• Stopworks are incorporated in thumbturn
• Breakable spindles prevent the lock from unlocking or being damaged
• Non-handed, Stainless Steel, deadlocking bar

Optional Strikes

-  **3985** - Standard Lip, Square Corner - Standard
 $1\frac{1}{4}$ " (32 mm) x $4\frac{7}{8}$ " (124 mm) x $1\frac{3}{16}$ " (30 mm)
-  **3986** - Extended Lip, Square Corner
 $1\frac{1}{4}$ " (32 mm) x $4\frac{7}{8}$ " (124 mm) x $1\frac{1}{2}$ " (38 mm)
-  **3987** - Standard Lip, Round Corner
 $1\frac{1}{4}$ " (32 mm) x $4\frac{7}{8}$ " (124 mm) x $1\frac{3}{16}$ " (30 mm)
-  **3988** - Extended Lip, Round Corner
 $1\frac{1}{4}$ " (32 mm) x $4\frac{7}{8}$ " (124 mm) x $1\frac{1}{2}$ " (38 mm)
-  **3989** - Flat Lip, Square Corner
 $1\frac{1}{4}$ " (32 mm) x $4\frac{7}{8}$ " (124 mm) x $\frac{7}{8}$ " (22 mm)
-  **3990** - Extended Flat Lip, Square Corner
 $1\frac{1}{4}$ " (32 mm) x $4\frac{7}{8}$ " (124 mm) x $1\frac{3}{16}$ " (30 mm)
-  **3991** - No Lip, Square Corner
 $1\frac{1}{4}$ " (32 mm) x $4\frac{7}{8}$ " (124 mm)

Optional Cylinders

3902 - Mortise Cylinder

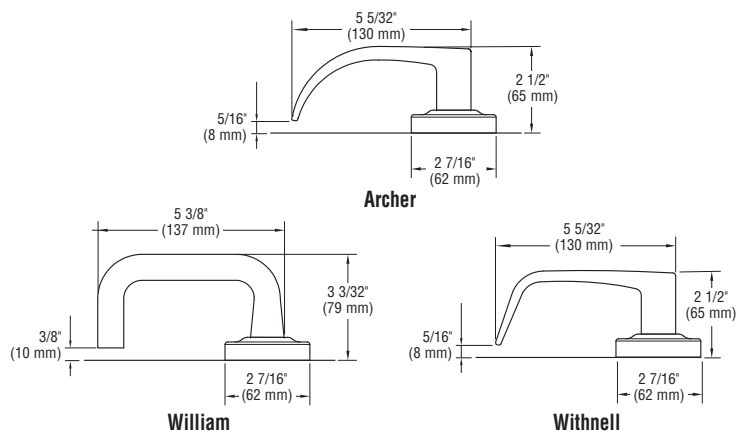


Standard



Interchangeable Core

- If ordered separately from mortise lock, specify 3976, Schlage "L" cam
- Standard Core installed and Interchangeable Core sold separately
- For more cylinder information, refer to General Information in the Lock section of the catalog.





Archer

William

Withnell

Grade 1 – Escutcheon

Heavy Duty Commercial, Industrial, Institutional

3800 Series

- Lifetime warranty
- Concealed thru-bolts
- Field reversible
- Standard and interchangeable cores available
- BHMA Certified Grade 1 Security with standard cylinder

Standard Door Prep: • $3\frac{5}{8}$ " (92 mm) Center of cylinder to spindle
 • $2\frac{7}{16}$ " (62 mm) Center of thumbturn to spindle

Certifications: • BHMA Certified ANSI A156.13 Grade 1 Operational and grade 1 Security
 • ADA Compliant ANSI A117.1 Accessibility Code
 • UL/cUL Listed for all functions up to 3 hours for "A" label doors
 • UL10C/UBC 7-2 (1997) Positive Pressure Rated
 • UL10B Neutral Pressure Rated

Exposed Trim: • Cast Zinc - Standard
 • Forged Brass, Cast Stainless Steel - Optional

Lock Case: • $4\frac{5}{16}$ " x 6" x 1" (110 mm x 152 mm x 25.4 mm)

Armor Front: • $1\frac{1}{4}$ " x 8" x $\frac{7}{32}$ " (32 mm x 203 mm x 5 mm) - Standard
 • $1\frac{1}{16}$ " x 8" x $\frac{7}{32}$ " (27 mm x 203 mm x 5 mm) - Optional

Escutcheon: • $1\frac{15}{16}$ " x 8" (50 mm x 203mm)

Keys: • Two brass keys per lock

Cylinders: • Brass 6-pin - Keyed Different - C Keyway
 • Keyed 5-pin - Standard
 • Other keying options available from factory
 • Interchangeable Core - Brass 6 or 7 pin - uncombined and combined - sold separately
 • Schlage "L" Cam - Standard

Door Thickness: • $1\frac{3}{8}$ " (35 mm) - $2\frac{1}{2}$ " (64 mm) - Steel Door
 • $1\frac{3}{4}$ " (45 mm) - $2\frac{1}{2}$ " (64 mm) - Wood Door

Backset: • $2\frac{3}{4}$ " (70 mm) Only

Latchbolt: • $\frac{3}{4}$ " (19 mm) Throw with anti-friction tongue, all Stainless Steel

Deadbolt: • 1" (25.4 mm) Throw - Stainless Steel

Strike: • 3985 $1\frac{1}{4}$ " (32 mm) x $\frac{7}{8}$ " (124 mm), $\frac{3}{16}$ " (30 mm) Lip - Standard

Fasteners: • Thru-bolted trim concealed under escutcheon

Functions: • 10 Passage, 17 Dummy, 27 Double Dummy, 40 Privacy, 50 Office, 53 Entry, 57 Classroom Security, 60 Cylinder x Thumbturn, 62 Double Cylinder, 63 Classroom, 64 Cylinder, 70 Classroom, 80 Storeroom, 81 Storeroom with Deadbolt

Finishes: • US3, US4, US10, US10B, US26, US26D, US32D*

* For a true US32D, specify stainless steel levers.

• US3, US4, US10, US10B and US26 subject to extended lead time

Option: • Tactile Knurling
 • Lead lining

Notes: • Self-adjusting case for beveled doors
 • Stopworks are incorporated in thumbturn
 • Breakable spindles prevent the lock from unlocking or being damaged
 • Non-handed, Stainless Steel, deadlocking bar

Optional Strikes



3985 - Standard Lip, Square Corner
 $1\frac{1}{4}$ " (32 mm) x $\frac{7}{8}$ " (124 mm) x $\frac{3}{16}$ " (30 mm)



3986 - Extended Lip, Square Corner
 $1\frac{1}{4}$ " (32 mm) x $\frac{7}{8}$ " (124 mm) x $\frac{1}{2}$ " (38 mm)



3987 - Standard Lip, Round Corner
 $1\frac{1}{4}$ " (32 mm) x $\frac{7}{8}$ " (124 mm) x $\frac{3}{16}$ " (30 mm)



3988 - Extended Lip, Round Corner
 $1\frac{1}{4}$ " (32 mm) x $\frac{7}{8}$ " (124 mm) x $\frac{1}{2}$ " (38 mm)



3989 - Flat Lip, Square Corner
 $1\frac{1}{4}$ " (32 mm) x $\frac{7}{8}$ " (124 mm) x $\frac{7}{8}$ " (22 mm)



3990 - Extended Flat Lip, Square Corner
 $1\frac{1}{4}$ " (32 mm) x $\frac{7}{8}$ " (124 mm) x $\frac{3}{16}$ " (30 mm)



3991 - No Lip, Square Corner
 $1\frac{1}{4}$ " (32 mm) x $\frac{7}{8}$ " (124 mm)

Optional Cylinders

3902 - Mortise Cylinder

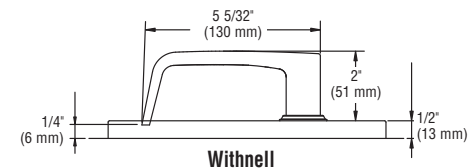
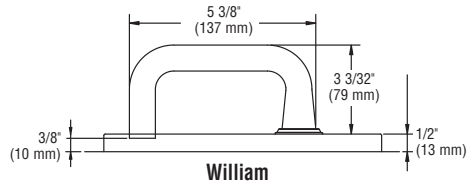
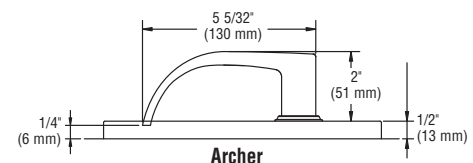


Standard



Interchangeable Core

- If ordered separately from mortise lock, specify 3976, Schlage "L" cam
- Standard Core installed and Interchangeable Core sold separately
- For more cylinder information, refer to General Information in the Lock section of the catalog.





Locks

Mortise General Information

HOW TO ORDER

<p>38</p> <p>Product Group 38 - Mortise Locks, Grade 1</p>	<p>53</p> <p>Function 10 - Passage 17 - Single Dummy 27 - Double Dummy 40 - Privacy 50 - Office 53 - Entry 57 - Classroom Security 60 - Deadbolt / Cylinder x Thumbturn 62 - Deadbolt / Double Cylinder 63 - Deadbolt / Classroom 64 - Deadbolt / Cylinder 70 - Classroom 80 - Storeroom 81 - Storeroom with Deadbolt</p>	<p>ESC</p> <p>Trim ESC - Escutcheon SECT - Sectional</p>	<p>ARC</p> <p>Style ARC - Archer WLM - William WTN - Withnell ARB - Archer, Brass WLB - William, Brass WTB - Withnell, Brass ARS - Archer, Stainless WLS - William, Stainless WTS - Withnell, Stainless</p>	<p>26D</p> <p>Finish US3 US4 US10 US10B US26 US26D US32D</p>	<p>Full6</p> <p>Cylinder Full6 - Full face cylinder 6-pin ICFull6 - IC Full face cylinder 6-pin ICFull7 - IC Full face cylinder 7-pin</p>	<p>KD</p> <p>Keying KA - Keyed Alike KD - Keyed Different MK - Master Key CMK - Construction Master Key GMK - Grand Master Key SK - Customer Specified Keying 1BC - "1" Bitted Cylinder</p>	<p>SCC</p> <p>Keyway SCC - Schlage C ARI - Arrow C60 - Corbin 60 C67 - Corbin 67 C77 - Corbin 77 CL4 - Corbin L4 SCE - Schlage E SCF - Schlage F KW1 - Kwikset RD1 - Russwin D1 SGT - Sargent LA YAP - Yale E1R YGA - Yale GA WE - Weiser E</p>	<p>RCAF</p> <p>Armor Front 0 - Square Corner 1 1/4" RCAF - Round Corner 1 1/4" NAF - Narrow 1 1/16" RCNAF - Round Corner Narrow 1 1/16"</p>	<p>FL</p> <p>Strike 0 - Standard - 1 3/16" Lip EL15 - Extended - 1 1/2" Lip FL - Flat - 7/8" Lip FLIC - Flat - 1 3/16" Lip RCS - Round Corner - 1 3/16" Lip RC15 - Round Corner - 1 1/2" Lip NL - No Lip</p>	<p>DR20</p> <p>Door Thickness 0 - 1 3/4" Door DR1G - 1 3/8" Door DR20 - 2" Door DR2D - 2 1/4" Door DR25 - 2 1/2" Door</p>
--	---	--	---	--	---	---	---	---	--	---

DEADLOCK FUNCTION CHART










FUNCTION	FUNCTION NO.	FUNCTION DESCRIPTION	ANSI NO.	
Cylinder	64	Deadbolt thrown or retracted by key from one side. No trim on opposite side.	F18	
Cylinder x Thumbturn	60	Deadbolt thrown or retracted by key outside or thumbturn inside.	F17	
Double Cylinder	62	Deadbolt operated by key from either side.	F16	
Classroom	63	Deadbolt thrown or retracted by key from outside. Inside thumbturn cylinder retracts deadbolt but cannot project it.	-	





Mortise General Information

LOCK FUNCTION CHART

FUNCTION	FUNCTION NO.	FUNCTION DESCRIPTION	ANSI NO.	
Keyed Without Deadbolt				
Office	50	Latchbolt retracted by lever from either side unless outside is made inoperative by key outside or by turning inside thumbturn. When outside is locked, latchbolt is retracted by lever inside. Outside lever remains locked until thumbturn is returned to vertical or unlocked by key. Auxiliary latch deadlocks latchbolt when door is closed.	F04	
Classroom	70	Latchbolt retracted by lever from either side unless outside is locked by key. Unlocked from outside by key. Inside lever always free for immediate exit. Auxiliary latch deadlocks latchbolt when door is closed.	F05	
Storeroom	80	Latchbolt retracted by key outside or by lever inside. Outside lever always inoperative. Auxiliary latch deadlocks latchbolt when door is closed	F07	
Keyed With Deadbolt				
Entry	53	Latchbolt retracted by lever from either side unless outside is locked by 20° rotation of thumbturn. Deadbolt thrown or retracted by 90° rotation of thumbturn. When locked, key outside or lever inside retracts deadbolt and latchbolt simultaneously. Outside lever remains locked until thumbturn is restored to vertical position. Throwing deadbolt automatically locks outside lever. Auxiliary latch deadlocks latchbolt when door is closed.	F20	
Classroom Security	57	Latchbolt retracted by lever from either side. Deadbolt thrown or retracted by key from either side. Throwing deadbolt locks outside lever. Turning inside lever simultaneously retracts deadbolt and latchbolt and unlocks outside lever.	-	
Storeroom with Deadbolt	81	Latchbolt retracted by key outside or by lever inside. Outside lever always fixed. Deadbolt thrown or retracted by key outside or thumbturn inside. Turning inside lever simultaneously retracts deadbolt and latchbolt. Auxiliary latch deadlocks latchbolt when door is closed.	-	
Non-Keyed Without Deadbolt				
Passage	10	Latchbolt retracted by lever from either side at all times.	F01	
Privacy	40	Latchbolt retracted by lever from either side unless outside is locked by inside thumbturn. Turning inside lever or closing door unlocks outside lever. To unlock from outside, remove emergency button, insert emergency turn (furnished) in access hole and rotate.	F22	
Non-Keyed Dummy				
Single Dummy	17	Lever on one side fixed by mounting bar.	-	
Double Dummy	27	Lever on both sides fixed by mounting bar.	-	