



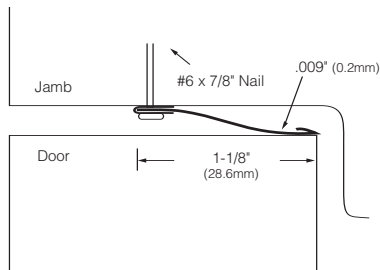
# Weatherstripping

## Spring Bronze

Constructed of high tempered 0.0009" gauge bronze to provide a permanent spring. Hemmed edges.

Fasteners: #6 x 7/8" Nail, #4 Wafer head drive nails available for metal door frames

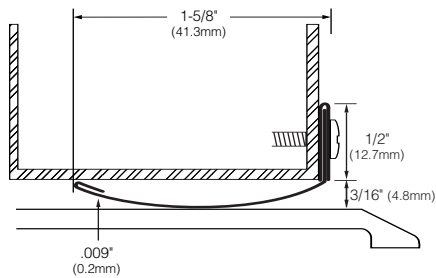
### 820S Finishes: MIB



- Notes:
- Spring Bronze weatherstrip, for wood and wood casement windows
  - Supplied with nails; nails should be 1 1/2" on center

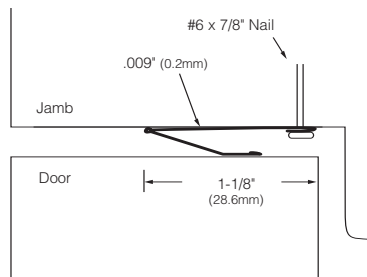
### 821S Finishes: MIB

Fasteners: #6 x 5/8" Pan Head Sheet Metal Screws



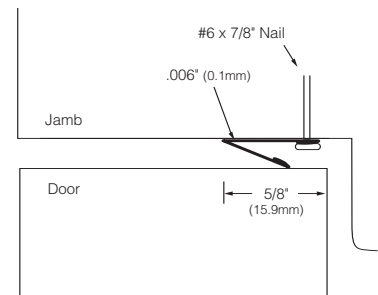
- Notes:
- Door Bottom
  - Spring Bronze weatherstrip, for metal doors may also be used as an astragal or door bottom
  - Supplied with fasteners

### 822S Finishes: MIB

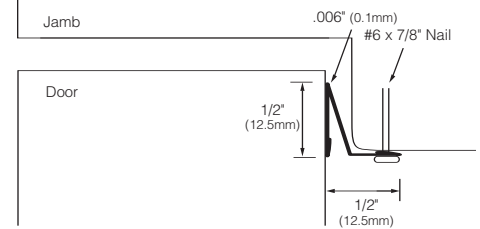


- Notes:
- "V" or Cushion Bronze weatherstrip, for wood or metal doors
  - Supplied with fasteners, specify wood or metal application
  - Fasteners should be 3" on center

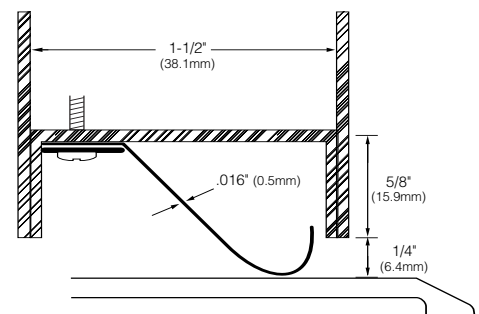
### 823S Finishes: MIB



### 824S Finishes: MIB



### 825S Finishes: MIB



- Notes:
- Door Bottom
  - For use on a hollow metal door