

# McKINNEY Hinge Catalog

## Continuous Geared Aluminum Hinge

**McKINNEY**

**1-800-346-7707**

[www.mckinneyhinge.com](http://www.mckinneyhinge.com)

### PRODUCT INFORMATION

Two full-height, paired and geared leaves manufactured of extruded 6063-T6 aluminum Alloy / temper with pinless assembly that distribute load stress uniformly along the full length of the door and frame.

To reduce wear, the frame and door leaf are independently machined and then anodized. This allows the machined aluminum surfaces that are in direct contact with the bearing to have a smoother, harder surface.

The continuous hinge acts as reinforcement for both door and frame. Special hinge reinforcements are not required. However door and frame manufacturers standard is acceptable and removal of hinge reinforcements in the door and frame is not advised.

The patented chemical composition and injection process used to produce our bearings provides for a stronger more accurately formed bearing which eliminates premature wear, guarantees proper alignment, and requires fewer bearings to carry more weight. And the intermeshing gear segments in the hinge now provide 50% more bearing surface, which results in less wear.

The gear design ensures identical operation of each leaf. This allows for very little effort required in opening heavy commercial grade doors.

Door Size	Hinge Length	# of Bearings	Door Weight
6'8"	79"	26	520 lbs
7'0"	83"	27	540 lbs
7'2"	85"	27	540 lbs
8'0"	95"	31	620 lbs
10'0"	120"	39	780 lbs

Heavier weight can be carried. Contact the factory at 800-346-7707 for applications and those not listed in the above chart



Classified and Listed to meet the requirements of Standards, UL10B, UL10C, UBC7-2, Part 1 & BS476 POSITIVE PRESSURE

### CYCLE REQUIREMENTS

These hinges are Guaranteed For The Life of the Opening (Flat cable conductor or electrically modified hinges are guaranteed for five years). They are tested and certified by UL® (USA & CANADA) to standards UL10B, UL10C and UB7C.2 Part B & BS476 (positive pressure) for up to a 3-hour (A-Label) Fire Listing for all 4'0" x 10'0" and 8'0" x 10'0" door and frame assemblies.

These hinges have been cycle tested using a 150 lb. door and are now certified fully functional after 1.5 million cycles. Per ANSI / BHMA Standard A156.26-2000, these hinges conform to:

- Grade 2-150 (150# Door @ 1,500,000 cycles)
- Grade 1-300 (300# Door @ 1,000,000 cycles)
- Grade 2-300 (300# Door @ 500,000 cycles)
- Grade 1-600 (600# Door @ 500,000 cycles)

#### Fire Rating

3 hours- hollow metal doors\*  
90 minutes- wood fire doors

#### FirePins™

are required only for 3 Hour (A Label) Assemblies see page B for additional information



**LISTED**  
**Door Hinges**  
**76Y2**

**Mounting Hardware** To prevent warping of the door along the hinge jamb, screws are located along the full length of the hinge.

These hinges are ideal for use on center hinge lead lined door

### ELECTRICAL MODIFICATIONS

Performance testing has shown that 1,250,000 cycles can be achieved using our exclusive bonded 4 conductor flat cable which is capable of carrying 4 amps @ 24 volts with a 16 amp in rush current for 300 milliamps. The electrical prep is provided with a 4 amp in-line fuse to protect the cable from any overload or surge in power. Installing the hinge without the fuse will void the warranty (5 year warranty on electrified hinges).

The standard Concealed Current (Option QC) electrically modified hinges are supplied with Flat plug connectors at each leaf, with 4, 8 or 12 wires at each leaf and two 6" pigtails for use with ElectroLynx® doors and hardware supplied by other ASSA ABLOY companies. In addition, these hinges are packaged with a 36" and a 72" wire harnesses with connector on one end and leads for hard wiring on opposite end.

Our new Serviceable, SER and Accessible, ACC versions (refer to catalog page 89) come furnished with the hardware noted above. The SER version is supplied in three separate sections which allow for the door to be installed and the 8" electrical section can be installed at a later time. The ACC version is supplied as a single hinge with leafs modified to pivot at the location of the current carrying cables. This allows for access to cables and connected wiring.

#### Power Transfer Cut Outs

**PT & EPT** Preps are available. A prep form must accompany your order and indicate handing, dimension from top of hinge to PT location, etc.

**PT** for: Adams Rite, Securitron, Yale, Centurion, Dorma

**EPT** for: Von Duprin

#### Magnetic Monitoring Hinge

(MM Suffix) is available alone or with the CC option. Refer to catalog page 90 for additional information on our MM function.

# McKINNEY Hinge Catalog

## Continuous Geared Aluminum Hinge

**McKINNEY**

1-800-346-7707

www.mckinneyhinge.com

### OTHER AVAILABLE OPTIONS

Options may require handing. Refer to individual catalog pages for availability

**DD** Dutch Door Prep

**HT** Hospital Tip

Custom length, indicate handing and length in inches

**FirePins™** Kit

### FINISHES

**CL** Clear anodized aluminum

**BZ** Dark anodized aluminum

**G** Gold anodized aluminum

**BL** Black anodized aluminum

**SN** Brushed satin nickel anodized aluminum

Consult the factory for availability of custom colors on complete hinges or gear caps only.

### EDGE HUNG HINGES

1. Fasteners are # 12-24 x 7/16" Type C, FH U/C thread-forming screws

- 20 Screws are required per each leaf
- Wood Screws available on request and should be specified on order
- 1/2 x 12-24 Torx Pin Head Machine Screws available on request

### FULL –SURFACE HINGES

1. Frame Portion all fasteners are 12-24 x 7/16" Type C, FH U/C thread forming screws

- 12 Screws are required for frame leaf –Wood Screws available on request.
- 1/2 x 12-24 Torx Pin Head Machine Screws available on request

2. Door Portion

- Thru-Bolt 1/4-20 x 1-5/8" – 4 Required per hinge
- Shoulder Bolt 1/4-20 x 1" PCH – 4 Required per hinge
- Pan Head Self Drilling # 12 x 3/4 – 6 Required per hinge

### HALF –SURFACE HINGES

1. Frame Portion all fasteners are 12-24 x 7/16" Type C, FH U/C thread forming screws

- 20 Screws are required per each leaf
- Wood Screws available on request and should be specified on order
- 1/2 x 12-24 Torx Pin Head Machine Screws available on request

2. Door Portion

- Thru-Bolt 1/4-20 x 1-5/8"
- 4 Required per hinge
- Shoulder Bolt 1/4-20 x 1" PCH
- 4 Required per hinge
- Pan Head Self Drilling # 12 x 3/4
- 6 Required per hinge

### Available Sizes

Door Size	Hinge Length	Hinge Length MM
6'8"	79"	2006
7'0"	83"	2108
7'2"	85"	2159
8'0"	95"	2413
10'0"	120"	3048

– 79", 83", 85" 95" and 120" lengths are standard for nominal door heights. The hinges may be ordered in custom lengths, specify handing and length in inches.

– These hinges may also be cut in the field. If the hinge must be shortened, cut the bottom only using a chop saw. This will allow material chips to work out after the installation. Although the hinge is typically not handed, it becomes handed after cutting and the cut edge must be installed at the bottom.

### HINGE INSTALLATION

The top of the hinge should be installed flush with the top of the door leaf

Installation instructions are packed with each hinge.

### DRILL SIZE CHART

12HD, 14HD, 22HD, WTHD, 25HD, 28HD & 54HD		
Material	Thickness	Drill Size
Aluminum	.090 - .140	13
Metal	20 Gauge	17
Metal	16-18 Gauge	15
Metal	12-14 Gauge	13
Wood	N/A	5/32"
58HD		
1/4-20 Screws		
Aluminum	.090 - .140	7
Metal	12 – 16 Gauge	7
Metal	18 – 20 Gauge	9

### Why Choose a McKINNEY Continuous Geared Aluminum Hinge?

McKINNEY commercial grade hinges consist of two full-heights paired and geared leaves. Each geared leaf rotates evenly from top to bottom riding on Delrin® -Teflon® bearings. The geared leaves and bearings are held together by a full-length channel cap. This assembly retains the smooth, clean lines of the door and frame while easily supporting heavy vertical loads.

### Security, Safety, Privacy, Ease of Maintenance

- Eliminates alignment problems, such as door sag and binding. Our continuous hinge distributes load stress uniformly along the full length of the door and frame.
- Our inter-meshing gear design, which provides 50% more bearing surface, ensures less wear and identical operation of each leaf, therefore, very little effort is required to open heavy commercial grade doors
- Screws located along the full length of the hinge prevents warping of the door along the hinge jamb
- Our continuous hinge acts as reinforcement for both door and frame
- Anodizing is performed after completing all machining, thus allowing that all aluminum surfaces that are in direct contact with the bearing have a smoother, harder surface, thereby reducing wear
- With our geared construction and full length channel cap, the common gap between the door and frame is sealed thereby providing security against prying
- The closing of the gap also protects against pinching fingers in doors in public areas, especially those where children are present
- Sightproof design of the continuous hinge provides privacy for lavatories, executive offices, file rooms etc.
- Superior hinge design and bearings eliminate premature wear, guarantee proper alignment and require fewer bearings to carry more weight. This is why we can guarantee our hinge for the Life Of the Opening\*
- Our QC, Serviceable and Accessible Options make connecting a Snap!

\* Hinges with electrical modifications carry a five year warranty from date of shipment

# McKINNEY Hinge Catalog

## Aluminum Continuous Gear Hinge

### Clearance Dimensions

**McKINNEY**

1-800-346-7707

www.mckinneyhinge.com

The full-mortise units are designed mainly for new doors and frames, and are applied so as to conceal both leaves. In retrofit applications, the door width must be reduced for proper clearance (See Figures 1, 2, 3 and 4 below for proper clearance).

The full-surface units are designed mainly for retrofit work, and are applied to the exposed surface of the door and frame (See Figures 1 & 2 below for proper clearance).

The half-surface units are designed mainly for retrofit applications. The door leaf is applied to the exposed surface of the door, and the frame leaf is applied to the concealed surface of the frame rabbet (See Figures 1 & 2 below for proper clearance).

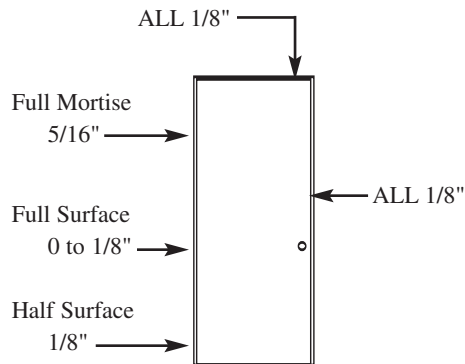


Figure 1 - Typical

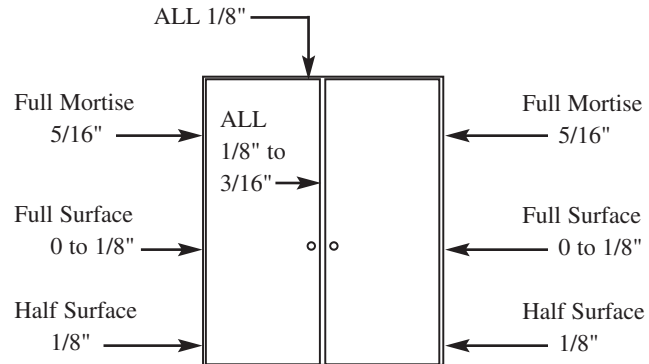


Figure 2 - Typical

\* Allow extra clearance as required per astragal manufacturer

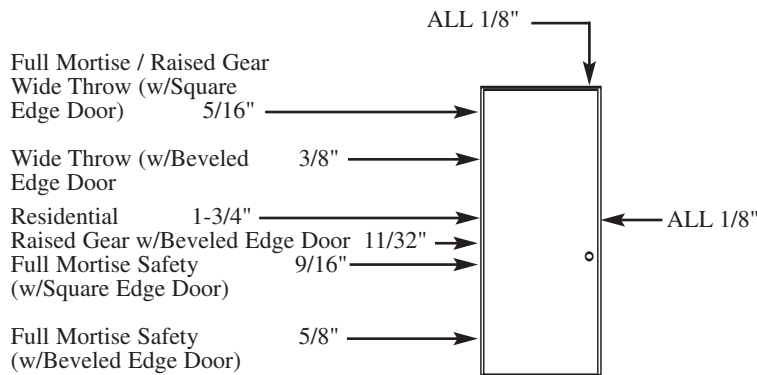


Figure 3 - Typical

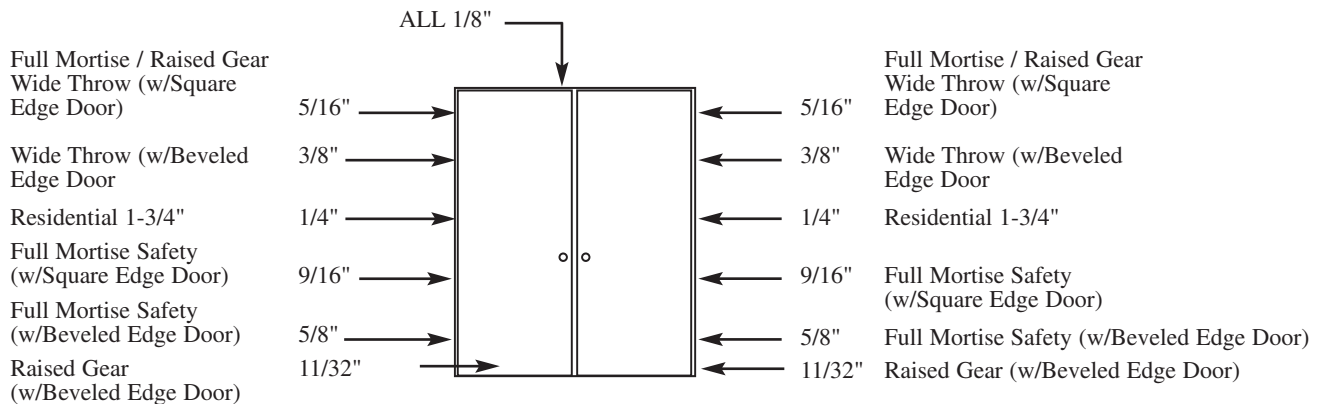


Figure 4 - Typical

# McKINNEY Hinge Catalog

## Continuous Aluminum Hinge

### Fire Ratings

**McKINNEY**

1-800-346-7707

www.mckinneyhinge.com

All Hinges designated with these symbols on our catalog pages are tested and certified by Underwriters Laboratories Inc.<sup>®</sup> (U.S.A. & Canada) to standards UL10B, UL10C (negative pressure) and UBC7.2 Part 1, & BS476 (positive pressure) for up to a 3-Hour (A Label) Fire Listing for all 4'0" x 10'0" and 8'0" x 10'0" door and frame assemblies. Fire listing certifications apply to all approved hollow metal and wood door assemblies in drywall or masonry wall construction. Our Intumescent FirePins<sup>™</sup> are **only required on 3-Hour (A Label) assemblies.**

Template Screw Locations	•
1,500,000 Cycle Test w/150# Door By U.L. Certified Independent La	•
UL10B Listed (Negative Pressure), UBC 7.2 (Positive Pressure)	•
UL C Listed (Canada)	•
Rated 20 min WD x HM Drywall	•
Rated 20 min HM x HM Drywall	•
Rated 20 min WD x HM Masonry	•
Rated 20 min HM x HM Masonry	•
Rated 30 min WD x HM Drywall (Canada)	•
Rated 30 min HM x HM Drywall (Canada)	•
Rated 30 min WD x HM Masonry (Canada)	•
Rated 30 min HM x HM Masonry (Canada)	•
Rated 45 min WD x HM Drywall	•
Rated 45 min HM x HM Drywall	•
Rated 45 min WD x HM Masonry	•
Rated 45 min HM x HM Masonry	•
Rated 60 min WD x HM Drywall	•
Rated 60 min HM x HM Drywall	•
Rated 60 min WD x HM Masonry	•
Rated 60 min HM x HM Masonry	•
Rated 90 min WD x HM (16 ga) Drywall	•
Rated 90 min WD x HM (16 ga) Masonry	•
Rated 90 min WD x HM (18 ga) Drywall	•
Rated 90 min WD x HM (18 ga) Masonry	•
Rated 90 min HM (20 ga) x HM (18 ga) Drywall	•
Rated 90 min HM (20 ga) x HM (18 ga) Masonry	•
Rated 90 min HM (20 ga) x HM (16 ga) Drywall	•
Rated 90 min HM (20 ga) x HM (16 ga) Masonry	•
Rated 90 min HM (18 ga) x HM (18 ga) Drywall	•
Rated 90 min HM (18 ga) x HM (18 ga) Masonry	•
Rated 90 min HM (18 ga) x HM (16 ga) Drywall	•
Rated 90 min HM (18 ga) x HM (16 ga) Masonry	•
Rated 90 min HM (16 ga) x HM (16 ga) Drywall	•
Rated 90 min HM (16 ga) x HM (16 ga) Masonry	•
Rated 90 min HM (16 ga Vert. Stiff) x HM (16 ga) Drywall	•
Rated 90 min HM (16 ga Vert. Stiff) x HM (16 ga) Masonry	•
◀◀ Rated 3 Hour HM x HM Masonry/Drywall ▶▶	
Retrofit Applications - Fire Rated	•
Maximum Rated Opening Size - Pair 8'0" Wide x 10' high	•
Cut to Size in Field	•



**LISTED**  
**Door Hinges**  
**76Y2**

◀◀ Indicates FirePins<sup>™</sup> Required

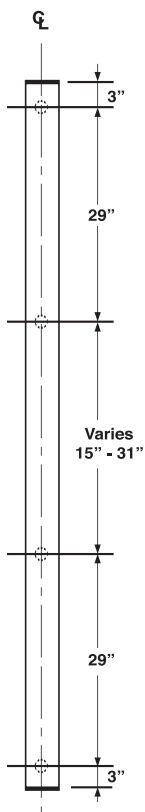
#### FirePin™ Locations

- The locations illustrated below indicate where holes should be drilled on the hinge edge of the door
- These locations are appropriate for all hinge models (edge hung, full-surface, and half surface)

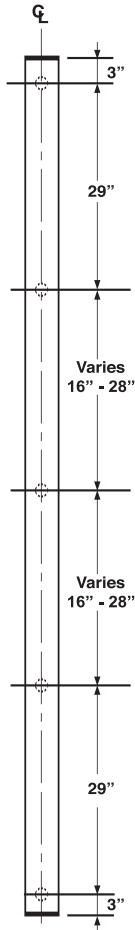
#### FirePin™ Locations for Use With Fire Rated Assemblies

- Although McKINNEY Continuous Geared Hinges carry UL Fire Ratings unequaled in the industry, some applications may require the use of FirePins™. Please refer to the Fire Label Ratings Chart (page CG-5) for information regarding their use.
- FirePin™ applications fall within the UL guidelines for retrofitting assemblies in the field. Expensive shop modifications and door/frame reinforcements are not required.
- FirePins™ also add extra security to a door assembly.

#### 80" - 95" Hinges



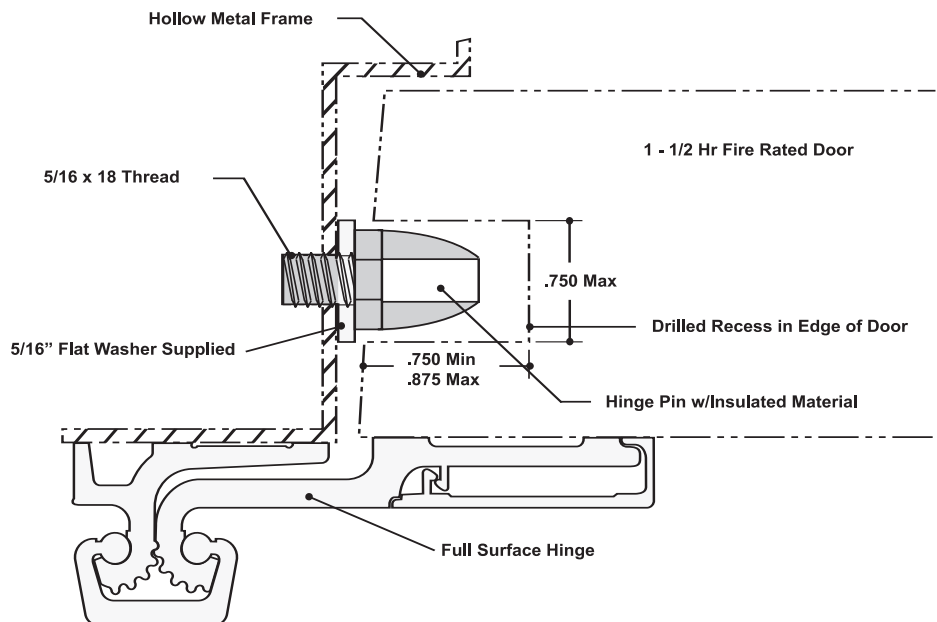
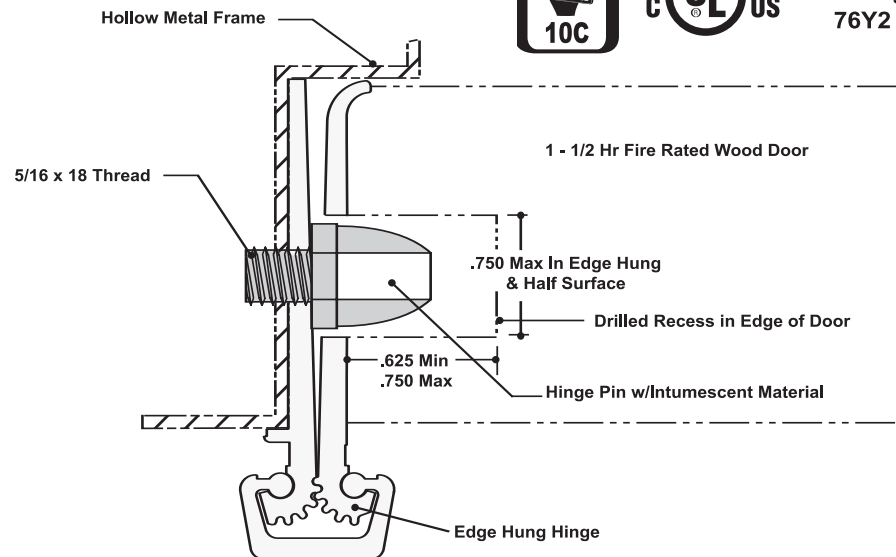
#### 96" - 120" Hinges



C- Center Line of Door



LISTED  
Door Hinges  
76Y2



# McKINNEY Hinge Catalog

## Full Mortise - Edge Hung Flush Door

### Continuous Gear Hinge

**McKINNEY**

1-800-346-7707

www.mckinneyhinge.com

#### MCK-12HD SERIES

Extruded 6063-T6 aluminum alloy/temper with pinless assembly.

CL – Clear anodized aluminum

BZ – Dark anodized aluminum

Door Size	Hinge Length	# of Bearings	Door Weight
6'8"	79"	26	520 lbs
7'0"	83"	27	540 lbs
7'2"	85"	27	540 lbs
8'0"	95"	31	620 lbs
10'0"	120"	39	780 lbs

The MCK-12HD Series is designed for use with doors that are standard 1-3/4" up to 2-1/4" thick.

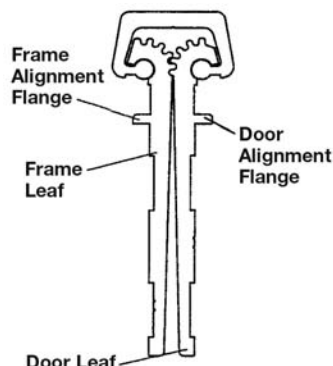
–Designed for use on retrofit applications and allows for adjustment in order to properly align the lock edge of the door to the frame.

Special hinge reinforcements are not required. Hollow metal door and frame manufacturers' standard is acceptable. Removal of hinge reinforcements in the door and frame is not advised.

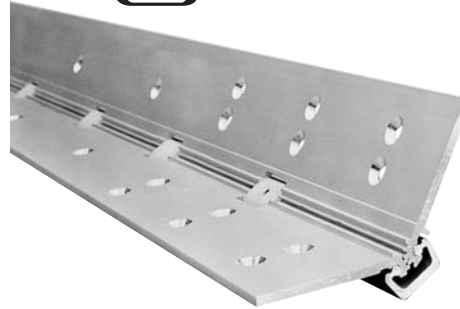
**Mounting Hardware** # 12-24 x 7/16" FHUC, Type C, thread-forming. 20 required for each leaf. Wood screws available on request only.

**For Kawneer Tuffline Series**, specify the prefix "K", for instance 83" KMCK-12HD –Designed for use with bi-fold applications to keep the faces of the doors flush.

#### Kawneer Tuffline Series Application



LISTED  
Door Hinges  
76Y2

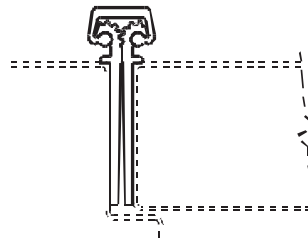


The McKINNEY MCK-12HD continuous gear hinges are recommended for new construction and renovations including new door and frame, new door with existing frame or existing door with new frame.

These hinges are **GUARANTEED FOR THE LIFE OF THE OPENING**

The flat cable conductor or electrically modified hinges are guaranteed for five years.

#### STANDARD APPLICATION



#### OPTIONAL FEATURES

G – Gold Anodized Finish

BL – Black Anodized Finish

HT – Hospital Tip

FP – Fire Pins

Custom lengths – specify handing and length in inches

Custom Finish (consult factory for availability)

#### Electrical Modifications (Suffix)

All electrically modified hinges are furnished with our 4 conductor flat cable connectors at each leaf and two pigtailed for use with ElectroLynx connectors as well as a 36" and a 72" wire harness with connectors on one end and hard wiring on opposite end. A 4 amp fuse is supplied to protect the cable from overload or surge in power. Failure to install the fuse voids the warranty.

- **Quick Connect** – Passes constant flow of current between source of power and actuated devices in the door **QC-4; QC-8; QC-12**
- **Serviceable** – Same as QC except hinge supplied in three sections with 8" electrically modified leaf. **SER-4; SER-8; SER-12\***
- **Accessible** – Same as QC except furnished with a pivoting 8" section. **ACC-4; ACC-8; ACC-12**
- **MM** – Magnetic Monitoring
- **PT** - Power transfer Prep (cut out only) For Adams Rite, Securitron, Yale, Dorma & Centurion\*
- **EPT** – Power transfer prep (cut out only) For Von Duprin\*

\*PT or EPT Location Form must accompany your order

Refer to catalog Pages 88-90 additional information on our electrical options.

# McKINNEY Hinge Catalog

## Full Mortise - Edge Hung Inset Door

### Continuous Gear Hinge

**McKINNEY**

1-800-346-7707

www.mckinneyhinge.com

#### MCK-14HD SERIES

Extruded 6063-T6 aluminum alloy/temper with pinless assembly.

CL – Clear anodized aluminum  
BZ – Dark anodized aluminum

Door Size	Hinge Length	# of Bearings	Door Weight
6'8"	79"	26	520 lbs
7'0"	83"	27	540 lbs
7'2"	85"	27	540 lbs
8'0"	95"	31	620 lbs
10'0"	120"	39	780 lbs

79", 83", 85", 95" and 120" lengths are standard for nominal door heights. The MCK-14HD continuous gear hinge may be field-cut to exact door heights and also may be ordered in custom lengths. Consult the factory for minimum requirements on custom sizes.

The MCK-14HD Series is designed for use with doors which are the standard 1-3/4" up to 2-1/4" thick.

#### Mounting Hardware

Standard Fasteners are #12-24x7/16" FH U/C, thread forming. 20 required for each leaf.

Wood screws are available upon request.

–Designed for use with hollow metal frames, where the inset conforms to S.D.I. specifications for aligning doors and frames

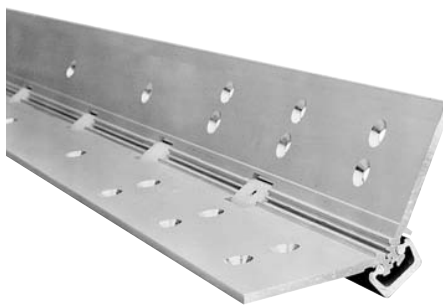
–Designed for use on retrofit applications and allows for adjustments in order to properly align the lock edge of the door to the frame.

Special hinge reinforcements are not required. Hollow metal door and frame manufacturers' standard is acceptable.

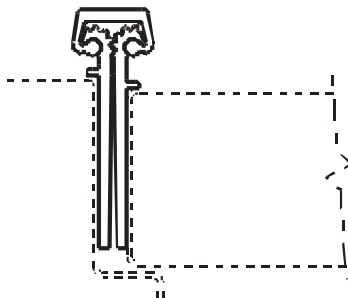
Removal of hinge reinforcements in the door and frame is not advised.



LISTED  
Door Hinges  
76Y2



#### SHORT LEAF INSET APPLICATION



#### OPTIONS

G – Gold Anodized Finish  
BL – Black Anodized Finish  
HT – Hospital Tip  
FP – Fire Pins  
Custom lengths – specify handing and length in inches  
Custom Finish (consult factory for availability)

#### Electrical Modifications (Suffix)

All electrically modified hinges are furnished with our 4 conductor flat cable connectors at each leaf and two pigtails for use with ElectroLynx connectors as well as a 36" and a 72" wire harness with connectors on one end and hard wiring on opposite end. A 4 amp fuse is supplied to protect the cable from overload or surge in power. Failure to install the fuse voids the warranty.

- **Quick Connect** – Passes constant flow of current between source of power and actuated devices in the door  
**QC-4; QC-8; QC-12**
- **Serviceable** – Same as QC except hinge supplied in three sections with 8" electrically modified leaf.  
**SER-4; SER-8; SER-12\***
- **Accessible** – Same as QC except furnished with a pivoting 8" section.  
**ACC-4; ACC-8; ACC-12**
- **MM** – Magnetic Monitoring
- **PT** – Power transfer Prep (cut out only) For Adams Rite, Securitron, Yale, Dorma & Centurion\*
- **EPT** – Power transfer prep (cut out only) For Von Duprin\*

\*PT or EPT Location Form must accompany your order

Refer to catalog Pages 88-90 additional information on our electrical options.

The flat cable conductor or electrically modified hinges are guaranteed for five years.



# McKINNEY Hinge Catalog

## Full Surface Continuous Gear Hinge

**McKINNEY**

1-800-346-7707

www.mckinneyhinge.com

### MCK-22HD SERIES

### OPTIONS

Extruded 6063-T6  
aluminum alloy/temper  
with pinless assembly.

CL – Clear anodized aluminum  
BZ – Dark anodized aluminum

Door Size	Hinge Length	# of Bearings	Door Weight
6'8"	79"	26	520 lbs
7'0"	83"	27	540 lbs
7'2"	85"	27	540 lbs
8'0"	95"	31	620 lbs
10'0"	120"	39	780 lbs

Special hinge reinforcements are not required. Hollow metal door and frame manufacturers' standard is acceptable. Removal of hinge reinforcements in the door and frame is not advised.

The McKINNEY MCK-22HD continuous gear hinges are designed mainly for retrofit applications where the door must swing completely out of the frame opening. This hinge is applied to the exposed surface of the door and frame.

It may also be used for new construction including new door and frame, new door with existing frame, existing door with new frame or existing door with existing frame.

#### Mounting Hardware

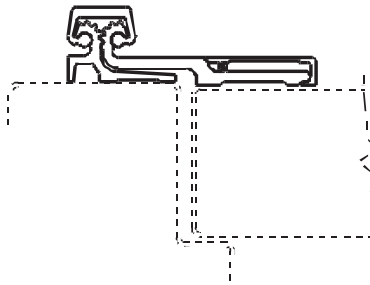
1. Frame Portion all fasteners are 12-24 x 7/16" Type C, FH U/C thread forming screws
  - 12 Screws are required for frame leaf
  - Wood screws are available on request
  - 1/2x12-24 Torx Pin Head Machine Screws available on request
2. Door Portion
  - Thru-Bolt 1/4-20 x 1-5/8"
  - 4 Required per hinge
  - Shoulder Bolt 1/4-20 x 1" PCH
  - 4 Required per hinge
  - Pan Head Self Drilling # 12 x 3/4
  - 6 Required per hinge



LISTED  
Door Hinges  
76Y2



#### FULL SURFACE SWING CLEAR APPLICATION



G – Gold Anodized Finish  
BL – Black Anodized Finish  
FP – Fire Pins  
Custom lengths – specify handing and length in inches  
Custom Finish (consult factory for availability)

#### Electrical Modifications (Suffix)

All electrically modified hinges are furnished with our 4 conductor flat cable connectors at each leaf and pigtails for use with ElectroLynx connectors as well as a 36" and a 72" wire harness with connectors on one end and hard wiring on opposite end. A 4 amp fuse is supplied to protect the cable from overload or surge in power. Failure to Install the fuse voids the warranty

- **Quick Connect** – Passes constant flow of current between source of power and actuated devices in the door  
QC-4; QC-8; QC-12
- **MM** – Magnetic Monitoring

Refer to catalog Pages 88-90 additional information on our electrical options.

*Please note that Power Transfer Cut Outs PT & EPT are not available on this hinge.*

# McKINNEY Hinge Catalog

## Full Mortise - Edge Hung

### Continuous Gear Hinge

**McKINNEY**

1-800-346-7707

www.mckinneyhinge.com

#### MCK-25HD SERIES

Extruded 6063-T6 aluminum alloy/temper with pinless assembly.

CL – Clear anodized aluminum

BZ – Dark anodized aluminum

Door Size	Hinge Length	# of Bearings	Door Weight
6'8"	79"	26	520 lbs
7'0"	83"	27	540 lbs
7'2"	85"	27	540 lbs
8'0"	95"	31	620 lbs
10'0"	120"	39	780 lbs

Special hinge reinforcements are not required. Hollow metal door and frame manufacturers' standard is acceptable. Removal of hinge reinforcements in the door and frame is not advised.

The McKINNEY MCK-25HD continuous gear hinges are recommended for new construction and retrofit installations including new door and frame, new door with existing frame or existing door with new frame.

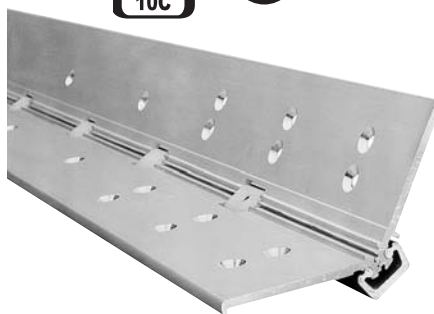
#### Mounting Hardware

Frame Portion all fasteners are 12-24 x 7/16" Type C, FH U/C thread forming screws

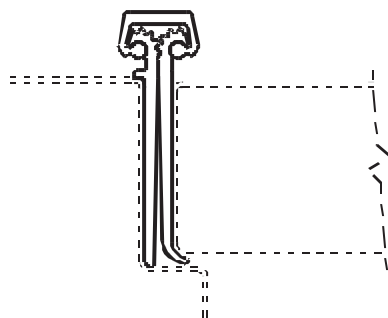
- 20 Screws are required for each leaf
- Wood screws are available on request
- 1/2x12-24 Torx Pin Head Machine Screws available on request



LISTED  
Door Hinges  
76Y2



#### SHORT LEAF FLUSH APPLICATION



#### OPTIONS

G – Gold Anodized Finish

BL – Black Anodized Finish

HT – Hospital Tip

FP – Fire Pins

Custom lengths – specify handing and length in inches

Custom Finish (consult factory for availability)

#### Electrical Modifications (Suffix)

All electrically modified hinges are furnished with our 4 conductor flat cable connectors at each leaf and two pigtails for use with ElectroLynx connectors as well as a 36" and a 72" wire harness with connectors on one end and hard wiring on opposite end. A 4 amp fuse is supplied to protect the cable from overload or surge in power. Failure to install the fuse voids the warranty

- **Quick Connect** – Passes constant flow of current between source of power and actuated devices in the door  
**QC-4; QC-8; QC-12**
- **Serviceable** – Same as QC except hinge supplied in three sections with 8" electrically modified leaf.  
**SER-4; SER-8; SER-12\***
- **Accessible** – Same as QC except furnished with a pivoting 8" section.  
**ACC-4; ACC-8; ACC-12**
- **MM** – Magnetic Monitoring
- **PT** – Power transfer Prep (cut out only) For Adams Rite, Securitron, Yale, Dorma & Centurion\*
- **EPT** – Power transfer prep (cut out only) For Von Duprin\*

\*PT or EPT Location Form must accompany your order

Refer to catalog Pages 88-90 additional information on our electrical options.

# McKINNEY Hinge Catalog

## Full Mortise - Raised Gear

### Continuous Gear Hinge

**McKINNEY**

1-800-346-7707

www.mckinneyhinge.com

#### MCK-28HD SERIES

#### OPTIONS

Extruded 6063-T6 aluminum alloy/temper with pinless assembly.

CL – Clear anodized aluminum

BZ – Dark anodized aluminum

Door Size	Hinge Length	# of Bearings	Door Weight
6'8"	79"	26	520 lbs
7'0"	83"	27	540 lbs
7'2"	85"	27	540 lbs
8'0"	95"	31	620 lbs
10'0"	120"	39	780 lbs

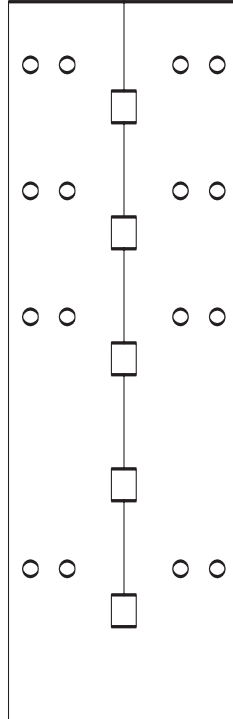
- Designed for use on metal or wood frames with applied casing.
- Applied as to conceal both leaves
- Designed for use on metal or wood frames with applied casing
- Full mortise hinges are designed for aluminum door and frame applications where the hinge leaf may interfere with the weatherstrip or applied stop of the frame.

#### Mounting Hardware

MCK-28HD Continuous Gear hinges are recommended for new construction and retrofit installations including new door and frame; new door and existing frame, existing door and new frame

Fasteners are # 12-24 x 7/16" Type C, FH U/C thread-forming screws

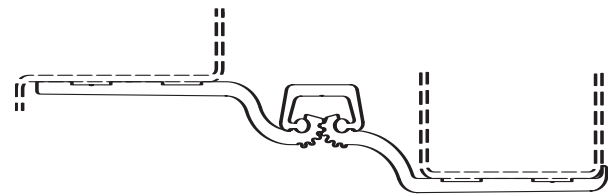
1. 20 Screws are required per each leaf
2. Wood Screws available on request and should be specified on order
3. 1/2x12-24 Torx Pin Head Machine Screws available on request



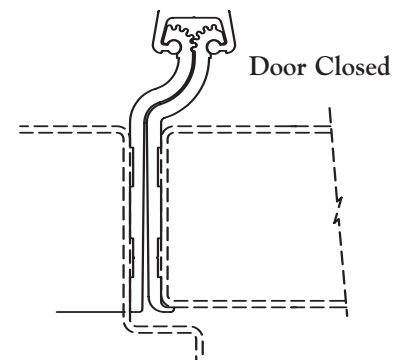
G – Gold Anodized Finish  
 BL – Black Anodized Finish  
 HT – Hospital Tip  
 FP – Fire Pins  
 Custom lengths – specify handing and length in inches  
 Custom Finish (consult factory for availability)



LISTED  
 Door Hinges  
 76Y2



Door Open 90°



Door Closed

5/16" @ Square Edge Application

11/32" @ Beveled Edge Application

# McKINNEY Hinge Catalog

## Half Surface

### Continuous Hinge

**McKINNEY**

1-800-346-7707

www.mckinneyhinge.com

#### MCK-54HD SERIES

Extruded 6063-T6 aluminum alloy/temper with pinless assembly.

CL – Clear anodized aluminum

BZ – Dark anodized aluminum

Door Size	Hinge Length	# of Bearings	Door Weight
6'8"	79"	26	520 lbs
7'0"	83"	27	540 lbs
7'2"	85"	27	540 lbs
8'0"	95"	31	620 lbs
10'0"	120"	39	780 lbs

The MCK-54HD series hinge is designed for use with hollow metal frames, where the inset conforms to S.D.I. specifications for aligning doors and frames

–Designed for use on retrofit applications and allows for adjustment in order to properly align the lock edge of the door to the frame.

Special hinge reinforcements are not required. Hollow metal door and frame manufacturers' standard is acceptable. Removal of hinge reinforcements in the door and frame is not advised.

The McKINNEY MCK-54HD continuous gear hinges are designed mainly for retrofit applications. The door leaf is applied to the exposed surface of the door and the frame leaf is applied to the concealed surface of the frame rabbit. It may also be used for new construction including new door and frame, new door with existing frame, existing door with new frame or existing door with existing frame.



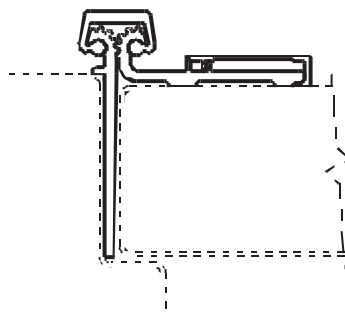
LISTED  
Door Hinges  
76Y2



#### MOUNTING HARDWARE

1. Frame Portion all fasteners are 12-24 x 7/16" Type C, FH U/C thread forming screws
  - 20 Screws are required per each leaf
  - Wood Screws available on request and should be specified on order
  - 1/2x12-24 Torx Pin Head Machine Screws available on request
2. Door Portion
  - Thru-Bolt 1/4-20 x 1-5/8"
  - 4 Required per hinge
  - Shoulder Bolt 1/4-20 x 1" PCH
  - 4 Required per hinge
  - Pan Head Self Drilling # 12 x 3/4
  - 6 Required per hinge

#### HALF-SURFACE APPLICATION



#### OPTIONS

G – Gold Anodized Finish

BL – Black Anodized Finish

FP – Fire Pins

Custom lengths – specify handing and length in inches

Custom Finish (consult factory for availability)

#### Electrical Modifications (Suffix)

All electrically modified hinges are furnished with our 4 conductor flat cable connectors at each leaf and two pigtailed for use with ElectroLynx connectors as well as a 36" and a 72" wire harness with connectors on one end and hard wiring on opposite end. A 4 amp fuse is supplied to protect the cable from overload or surge in power. Failure to install the fuse voids the warranty.

- **Quick Connect** – Passes constant flow of current between source of power and actuated devices in the door **QC-4; QC-8; QC-12**
- **PT** – Power transfer Prep (cut out only) for Adams Rite, Securitron, Yale, Dorma & Centurion\*
- **EPT** – Power transfer prep (cut out only) for Von Duprin\*

\*PT or EPT Location form must accompany your order.

Refer to catalog Pages 88-90 for additional information on our electrical options.

# McKINNEY Hinge Catalog

## Full Surface Center Pivot Continuous Hinge

**McKINNEY**

1-800-346-7707

www.mckinneyhinge.com

### MCK-58HD SERIES

### OPTIONS

Extruded 6063-T6 aluminum alloy/temper with pinless assembly.

CL – Clear anodized aluminum

BZ – Dark anodized aluminum



LISTED  
Door Hinges  
76Y2



Door Size	Hinge Length	# of Bearings	Door Weight
6'8"	79"	26	520 lbs
7'0"	83"	27	540 lbs
7'2"	85"	27	540 lbs
8'0"	95"	31	620 lbs
10'0"	120"	39	780 lbs

The MCK-58HD Series is designed for use where pivot point must be centered between the door and frame and are applied to the exposed surface of the door and frame.

–Designed for use where frame face is less than 1-1/2" wide.

Special hinge reinforcements are not required. Hollow metal door and frame manufacturers' standard is acceptable. Removal of hinge reinforcements in the door and frame is not advised.

The McKINNEY MCK-58HD continuous gear hinges are designed for retrofit work and can be used for new construction and renovation projects applications where the pivot point must be centered between the door and frame, or where the frame face is less than 1-1/2".

### MOUNTING HARDWARE

1. Frame Portion all fasteners are 12-24 x 7/16" Type C, FH U/C thread forming screws
  - 12 Screws are required for frame leaf
  - and should be specified on order
  - 1/2x12-24 Torx Pin Head Machine Screws available on request
2. Door Portion
  - Thru-Bolt 1/4-20 x 1-5/8"
  - 8 Required per hinge
  - Shoulder Bolt 1/4-20 x 1" PCH
  - 8 Required per hinge
  - Pan Head Self Drilling # 12 x 3/4
  - 4 Required per hinge

G – Gold Anodized Finish

BL – Black Anodized Finish

FP – Fire Pins

Custom lengths – specify handing and length in inches

Custom Finish (consult factory for availability)

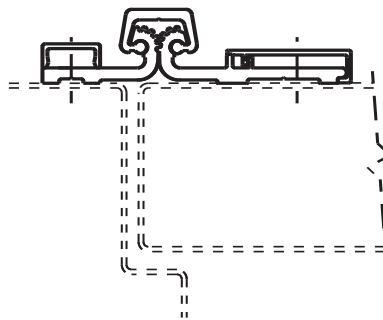
### Electrical Modifications (Suffix)

All electrically modified hinges are furnished with our 4 conductor flat cable connectors at each leaf and two pigtails for use with ElectroLynx connectors as well as a 36" and a 72" wire harness with connectors on one end and hard wiring on opposite end. A 4 amp fuse is supplied to protect the cable from overload or surge in power. Failure to install the fuse voids the warranty.

- **Quick Connect** – Passes constant flow of current between source of power and actuated devices in the door **QC-4; QC-8; QC-12**

Please note that Power Transfer Cut Outs PT & EPT are not available on this hinge

### HALF-SURFACE APPLICATION



# McKINNEY Hinge Catalog

## Wide Throw Full-Mortise Continuous Gear Hinge

**McKINNEY**

1-800-346-7707

www.mckinneyhinge.com

### MCK-WTHD SERIES

Extruded 6063-T6 aluminum  
Alloy/temper with pinless assembly.

CL – Clear anodized aluminum

BZ – Dark anodized aluminum

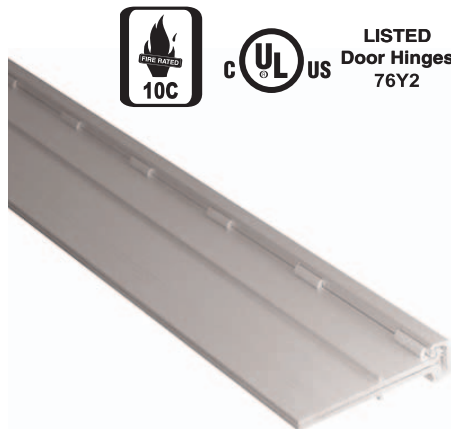
#### Available Sizes

Door Size	Hinge Length	Hinge Length MM
7'0"	83"	2108
8'0"	95"	2413

Special hinge reinforcements are not required. Hollow metal door and frame manufacturers standard is acceptable. Removal of hinge reinforcements in the door and frame is not advised.

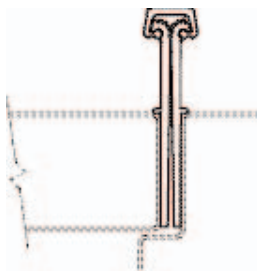
Undersizing of door must also include clearances for lock side of door, added to clearance, to obtain the proper Undersizing of door.

The McKINNEY MCK-WTHD continuous gear hinge is recommended for new construction or renovations that require extra clearance due to special frame or door design and are applied so as to conceal both leaves. These include new door and frame, new door with existing frame or existing door with new frame, or new door applications that require extra clearance (provides 2-3/4" clearance) due to special frame or door design.



LISTED  
Door Hinges  
76Y2

#### APPLICATION



Requires 5/16" clearance for square edge doors and 3/8" clearance on beveled edge doors. Clearances noted here are for hinge edges only. Undersizing of door must also include clearance for lock side of door, added to hinge clearance to obtain proper undersizing of door.

#### Mounting Hardware

1. Fasteners are # 12-24 x 7/16" Type C, FH U/C thread-forming screws
1. 20 Screws are required per each leaf
2. Wood Screws available on request and should be specified on order
3. 1/2x12-24 Torx Pin Head Machine Screws available on request

### OPTIONS

G – Gold Anodized Finish

BL – Black Anodized Finish

HT – Hospital Tip

FP – Fire Pins

Custom lengths – specify handing and length in inches

Custom Finish (consult factory for availability)

#### Electrical Modifications (Suffix)

All electrically modified hinges are furnished with our 4 conductor flat cable connectors at each leaf and two pigtailed for use with ElectroLynx connectors as well as a 36" and a 72" wire harness with connectors on one end and hard wiring on opposite end. A 4 amp fuse is supplied to protect the cable from overload or surge in power. Failure to install the fuse voids the warranty

- **Quick Connect** – Passes constant flow of current between source of power and actuated devices in the door **QC-4; QC-8; QC-12**
- **Serviceable** – Same as QC except hinge supplied in three sections with 8" electrically modified leaf. **SER-4; SER-8; SER-12\***
- **Accessible** – Same as QC except furnished with a pivoting 8" section. **ACC-4; ACC-8; ACC-12**
- **MM** – Magnetic Monitoring
- **PT** – Power transfer Prep (cut out only) For Adams Rite, Securitron, Yale, Dorma & Centurion\*
- **EPT** – Power transfer prep (cut out only) For Von Duprin\*

\*PT or EPT Location Form must accompany your order

Refer to catalog Pages 88-90 additional information on our electrical options.

# McKINNEY Hinge Catalog

## Full Mortise - Safety Hinges

### Continuous Gear Hinge

**McKINNEY**

1-800-346-7707

www.mckinneyhinge.com

#### MCK-35HD & MCK-38HD SERIES

#### OPTIONS

Extruded 6063-T6 aluminum alloy/temper with pinless assembly.

CL – Clear anodized aluminum

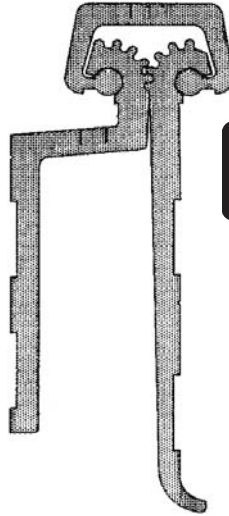
BZ – Dark anodized aluminum

Door Size	Hinge Length	# of Bearings	Door Weight
6'8"	79"	26	520 lbs
7'0"	83"	27	540 lbs
7'2"	85"	27	540 lbs
8'0"	95"	31	620 lbs
10'0"	120"	39	780 lbs

–Designed mainly for new door applications in child care and nursing facilities. These hinges require extra clearance with a special frame design and are applied as to conceal both leaves.

–The unique design prevents small fingers from getting pinched in the door.

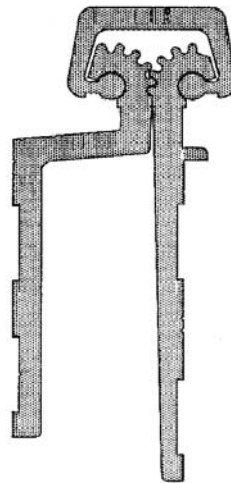
–Safety hinges are designed for frames with no stops on the hinge jamb



LISTED  
Door Hinges  
76Y2

#### MCK-35HD

Required 13/16" clearance for square edge doors and 27/32" clearance on beveled edge doors.



#### MCK-38HD

Required 13/16" clearance for square edge doors and 27/32" clearance on beveled edge doors.

G – Gold Anodized Finish

BL – Black Anodized Finish

HT – Hospital Tip

FP – Fire Pins

Custom lengths – specify handing and length in inches

Custom Finish (consult factory for availability)

1. Fasteners are # 12-24 x 7/16" Type C, FH U/C thread-forming screws
2. 20 Screws are required per each leaf
2. Wood Screws available on request and should be specified on order
3. 1/2x12-24 Torx Pin Head Machine Screws available on request