

McKINNEY Hinge Catalog

Full Mortise Plain Bearing Hinges

Two Knuckle Standard Weight Series

McKINNEY

1-800-346-7707

www.mckinneyhinge.com

T2731

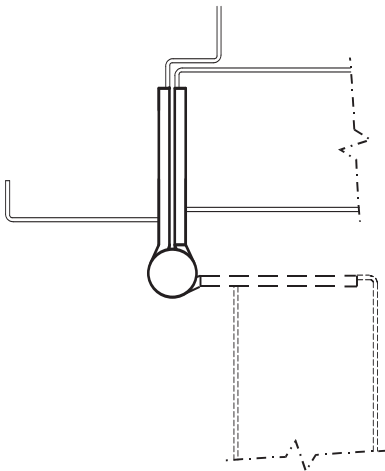
Steel base polished and plated or furnished in prime or powder coat finish.



Available Options:

- NRD (non-removable door - one doweled hinge furnished per set)
- RC (round corner - 1/4" radius furnished unless specified otherwise)
- HT (hospital tip)
- SSF (safety stud feature)
- "S" (sherardizing, our additional rust resistant base under prime coat on steel base)
- Beveled Edge (where doors are on hinge side specify T4731)

APPLICATION



Not recommended for medium or high frequency doors, or doors with closing devices.

Available Sizes

Inches	MM	Gauge
3½ x 3½	88.9 x 88.9	.123
4 x 4	101.6 x 101.6	.130
4½ x 4	114.3 x 101.6	.134
4½ x 4½	114.3 x 114.3	.134

Packing:

All 2K standard weight full mortise plain bearing steel hinges are packed all machine x 1/2 wood screws. For special screws consult price book on availability. Specify hand when ordering.

ANSI Cross Reference:

A8133 Steel

McKINNEY Hinge Catalog

Full Mortise Bearing Hinges

Two Knuckle Standard Weight Series

McKINNEY

1-800-346-7707

www.mckinneyhinge.com

TA3331

Stainless steel base or available in brass or bronze base material polished and plated or furnished in prime or powder coat.

TA2731

Steel base polished and plated or furnished in prime or powder coat finish.

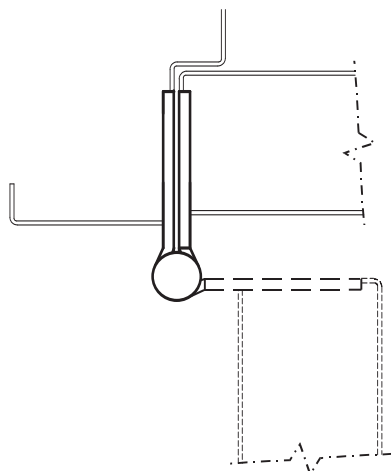


Available Options:

- NRD (non-removable door - one doweled hinge furnished per set)
- RC (round corner - 1/4" radius furnished unless specified otherwise)
- HT (hospital tip)
- SSF (safety stud feature)
- CC-4 (concealed circuit - 4 wire)
- CC-6 (concealed circuit - 6 wire)*
- CC-8 (concealed circuit - 8 wire)*
- CS- (concealed switch)*
- MM (magnetic monitoring)
- "S" (sherardizing, our additional rust resistant base under prime coat on steel base)
- Beveled Edge (where doors are beveled on hinge side specify TA4331 or TA4731)

* Not available in Stainless

APPLICATION



Available Sizes

Inches	MM	Gauge
3½ x 3½*	88.9 x 88.9	.123
4 x 4	101.6 x 101.6	.130
4½ x 4	114.3 x 101.6	.134
4½ x 4½	114.3 x 114.3	.134
5 x 4½	127 x 114.3	.146
5 x 5	127 x 127	.146

* Not available in Stainless

Packing:

All 2K standard weight full mortise bearing hinges are packed all machine x 1/2 wood screws. For special screws consult price book on availability. Specify hand when ordering.

ANSI Cross Reference:

A2112 Brass, Bronze
A5112 Stainless
A8112 Steel

Recommended for standard weight, medium frequency doors, or doors with closing devices.

McKINNEY Hinge Catalog

Full Mortise Bearing Hinges

Two Knuckle Heavy Weight Series

McKINNEY

1-800-346-7707

www.mckinneyhinge.com

TA3350

Stainless steel base or available in brass or bronze base material polished and plated or furnished in prime or powder coat.

TA3750

Steel base polished and plated or furnished in prime or powder coat finish.

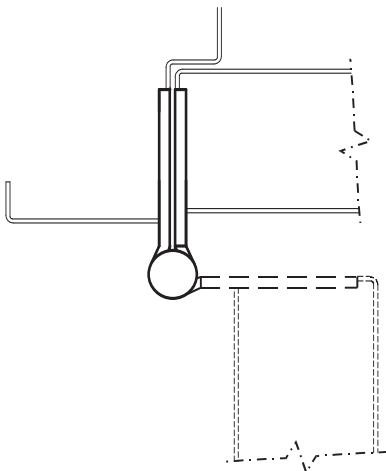


Available Options:

- NRD (non-removable door - one doweled hinge furnished per set)
- RC (round corner - 1/4" radius furnished unless specified otherwise)
- HT (hospital tip)
- SSF (safety stud feature)
- CC-4 (concealed circuit - 4 wire)
- CC-6 (concealed circuit - 6 wire)*
- CC-8 (concealed circuit - 8 wire)*
- CS- (concealed switch)*
- MM (magnetic monitoring)
- "S" (sherardizing, our additional rust resistant base under prime coat on steel base)
- Beveled Edge (where doors are beveled on hinge side specify TA5350 or TA5750)

* Not available in Stainless

APPLICATION



Available Sizes

Inches	MM	Gauge
4 1/2 x 4 1/2	114.3 x 114.3	.180
5 x 4 1/2	127 x 114.3	.190
5 x 5	127 x 127	.190

* Not available in Stainless

Packing:

All 2K heavy weight full mortise bearing hinges are packed all machine x 1/2 wood screws.

For special screws consult price book on availability. Specify hand when ordering.

ANSI Cross Reference:

A2111 Brass, Bronze
A5111 Stainless
A8111 Steel

Recommended for use on high frequency and/or heavy wood or metal doors in schools, hospitals or other public buildings where heavy traffic is experienced.

McKINNEY Hinge Catalog

Full Mortise Plain Bearing Hinges

Three Knuckle Standard Weight Series

McKINNEY

1-800-346-7707

www.mckinneyhinge.com

T714

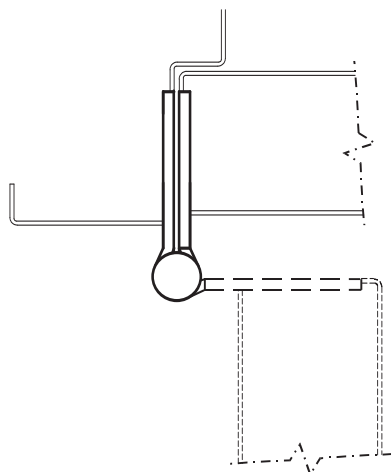
Steel base polished and plated or furnished in prime or powder coat finish.



Available Options:

- NRP (non-removable pin)
- ETC (exposed tip)
- RC (round corner - 1/4" radius furnished unless specified otherwise)
- HT (hospital tip)
- SSF (safety stud feature)
- "S" (sherardizing, our additional rust resistant base under prime coat on steel base)
- Beveled Edge (where doors are beveled on hinge side specify T5714)

APPLICATION



Available Sizes

Inches	MM	Gauge
3 1/2 x 3 1/2	88.9 x 88.9	.123
4 x 4	101.6 x 101.6	.130
4 1/2 x 4	114.3 x 101.6	.134
4 1/2 x 4 1/2	114.3 x 114.3	.134
5 x 4 1/2	127 x 114.3	.146
5 x 5	127 x 127	.146

Packing:

All 3K standard weight full mortise plain bearing hinges are packed all machine x 1/2 wood screws. For special screws consult price book on availability.

ANSI Cross Reference:

A8133 Steel

Not recommended for medium or high frequency doors, or doors with closing devices.

McKINNEY Hinge Catalog

Full Mortise Bearing Hinges

Three Knuckle Standard Weight Series

McKINNEY

1-800-346-7707

www.mckinneyhinge.com

TA314

Brass or bronze base polished and plated, or stainless steel base polished and passivated.

TA714

Steel base polished and plated or furnished in prime or powder coat finish.

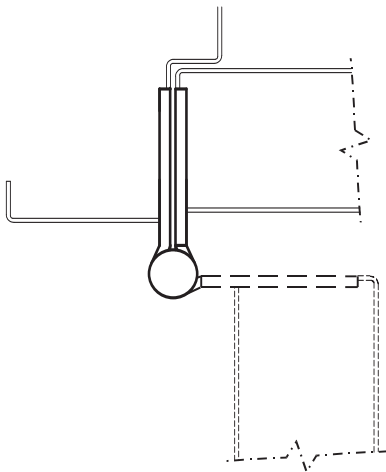


Available Options:

- NRP (non-removable pin)
- ETC (exposed pin and plug)
- RC (round corner - $\frac{1}{4}$ " radius furnished unless specified otherwise)
- HT (hospital tip)
- SSF (safety stud feature)
- QC (ElectroLynx hinge) 2, 4, 6, 8, 10 or 12 wire available
- CC (concealed circuit) 4, 6 or 8 wire available*
- CS- (concealed switch - handing required)*
- MM (magnetic monitoring)
- "S" (sherardizing, our additional rust resistant base under prime coat on steel base)
- Beveled Edge (where doors are beveled on hinge side specify TA5314 or TA5714)

* Not available in Stainless

APPLICATION



Available Sizes

Inches	MM	Gauge
3½ x 3½	88.9 x 88.9	.123
4 x 4	101.6 x 101.6	.130
4½ x 4	114.3 x 101.6	.134
4½ x 4½	114.3 x 114.3	.134
5 x 4½	127 x 114.3	.146
5 x 5	127 x 127	.146

Packing:

All standard weight full mortise non-ferrous hinges are packed with all machine x $\frac{1}{2}$ wood screws. For special screws consult price book on availability.

ANSI Cross Reference:

A2112 Brass, Bronze
A5112 Stainless
A8112 Steel

Recommended for standard weight, medium frequency doors, or doors with closing devices.

McKINNEY Hinge Catalog

Full Mortise Bearing Hinges

Three Knuckle Heavy Weight Series

McKINNEY

1-800-346-7707

www.mckinneyhinge.com

TA386

Stainless steel base or available in brass or bronze base material polished and plated or furnished in prime or powder coat.

TA786

Steel base material polished and plated or furnished in prime or powder coat.

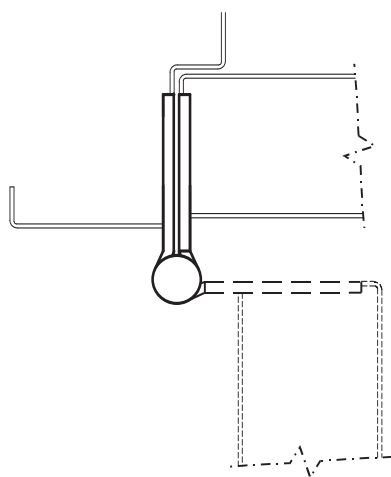


Available Options:

- NRP (non-removable pin)
- ETC (exposed pin and plug)
- RC (round corner - 1/4" radius furnished unless specified otherwise)
- HT (hospital tip)
- SSF (safety stud feature)
- QC (ElectroLynx hinge) 2, 4, 6, 8, 10 or 12 wire available
- CC (concealed circuit) 4, 6 or 8 wire available*
- CS- (concealed switch - handling required)*
- MM (magnetic monitoring)
- "S" (sherardizing, our additional rust resistant base under prime coat on steel base)
- Beveled Edge (where doors are beveled on hinge side specify TA5386 or TA5786)
- 8x6 furnished in steel only (hole pattern differs from photo shown)

* Not available in Stainless

APPLICATION



Available Sizes

Inches	MM	Gauge
4½ x 4½	114.3 x 114.3	.180
5 x 4½	127 x 114.3	.190
5 x 5	127 x 127	.190
6 x 5	152.4 x 127	.203
6 x 6	152.4 x 152.4	.203
8 x 6*	203.2 x 152.4	.225

* Consult templates 046A and 046B for appropriate hole pattern.

Packing:

All 3K heavy weight full mortise hinges are packed all machine and 1/2 wood screws. For special screws consult price book on availability.

ANSI Cross Reference:

A2111 Brass, Bronze
A5111 Stainless
A8111 Steel

Recommended for use on high frequency and/or heavy wood or metal doors in schools, hospitals or other public buildings where heavy traffic is experienced.

McKINNEY Hinge Catalog

Full Mortise Institutional Hinges

Three Knuckle Heavy Weight Series

McKINNEY

1-800-346-7707

www.mckinneyhinge.com

IHTB386

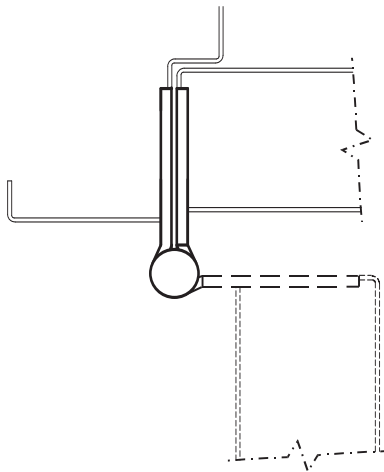
Stainless steel base material polished and passivated or sand blasted and furnished in prime coat. Hospital tipped ends, double stainless steel dowel construction, concealed bearing assemblies.



IHTB786

Steel base material polished and plated or furnished in prime or powder coat. Hospital tipped ends, double stainless steel dowel construction, concealed bearing assemblies.

APPLICATION



Available Options:

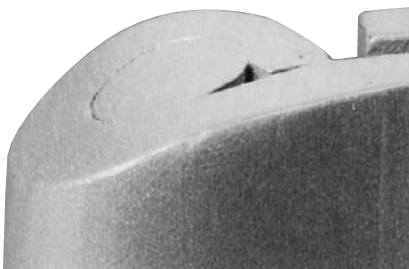
- PSF (prison safety feature) (shown below)
- CC-4 (concealed circuit - 4 wire)
- MM (magnetic monitoring)*
- Beveled Edge (where doors are beveled on hinge side specify IHTB5386 or IHTB5786)

* Not available with PSF option

Available Sizes

Inches	MM	Gauge
4½ x 4½	114.3 x 114.3	.180
5 x 4½*	127 x 114.3	.190

HOSPITAL TIP (HT)



PRISON SAFETY FEATURE (PSF) (OPTIONAL)



Packing:

All 3K heavy weight full mortise institutional hinges are packed with all Torx Head Security machine screws. For special screws consult price book on availability.

ANSI Cross Reference:

A5111 Stainless
A8111 Steel

Recommended for use on high frequency and/or heavy wood or metal doors in schools, hospitals or other public buildings where security requirements exist.

McKINNEY Hinge Catalog

Swing Clear Full Mortise Bearing Hinges

Three Knuckle Heavy Weight Series (Reversible)

McKINNEY

1-800-346-7707

www.mckinneyhinge.com

TA795

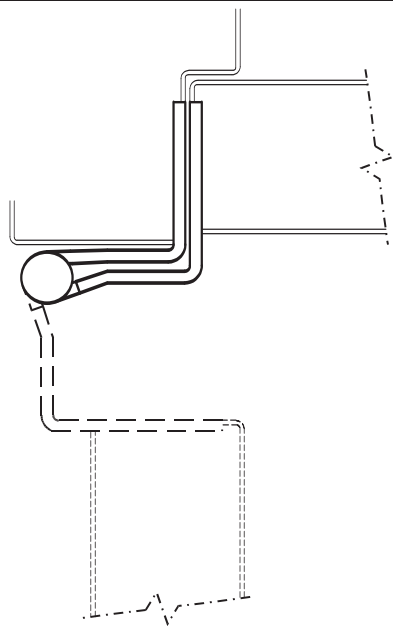
Steel base material polished and plated or furnished in prime or powder coat.



Available Options:

- RC (round corner - 1/4" radius furnished unless specified otherwise)
- HT (hospital tip)
- SSF (safety stud feature)
- MM (magnetic monitoring)
- Beveled Edge (where doors are beveled on hinge side specify TA5795)

APPLICATION



Available Sizes

Inches	MM	Gauge
4½	114.3	.180
5	127	.190

Packing:

All 3K heavy weight full mortise hinges are packed with all machine and 1/2 wood screws. For special screws consult price book on availability. The pin is held in place by an NRP set screw which allows the hinge to be reversible.

ANSI Cross Reference:

A8121 Steel

Recommended for use on high frequency and/or heavy wood or metal doors in schools, hospitals or other public buildings where heavy traffic is experienced. Hinge allows for maximum clearance for passage of beds, tables or other equipment through doorway. Pressed steel jambs require no special reinforcing.

McKINNEY Hinge Catalog

Full Mortise Plain Bearing Hinges

Five Knuckle Standard Weight Series

McKINNEY

1-800-346-7707

www.mckinneyhinge.com

T2314

Stainless steel base or available in brass or bronze base material polished and plated or furnished in prime or powder coat.

T2714

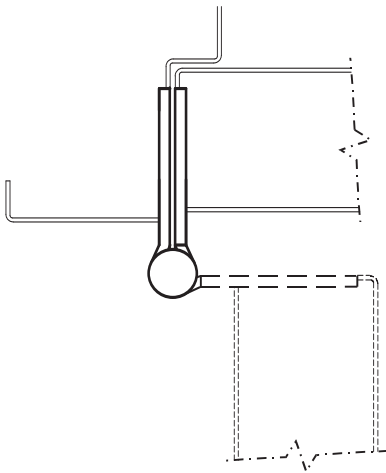
Steel base polished and plated or furnished in prime or powder coat finish.



Available Options:

- NRP (non-removable pin)
- RC (round corner - 1/4" radius furnished unless specified otherwise)
- HT (hospital tip)
- BT (ball tip)
- ST (steeple tip)
- SSF (safety stud feature)
- "S" (sherardizing, our additional rust resistant base under prime coat on steel base)
- Beveled Edge (where doors are beveled on hinge side specify T4314 or T4714)

APPLICATION



Available Sizes

Inches	MM	Gauge
3½ x 3½	88.9 x 88.9	.123
4 x 4	101.6 x 101.6	.130
4½ x 4	114.3 x 101.6	.134
4½ x 4½	114.3 x 114.3	.134
5 x 4½	127 x 114.3	.146
5 x 5	127 x 127	.146
6 x 6*	152.4 x 152.4	.160

*Not available in Stainless

Packing:

All standard weight full mortise non-ferrous hinges are packed with all machine x 1/2 wood screws. Steel hinges (except USP) are packed all machine x all wood screws. For special screws consult price book on availability.

ANSI Cross Reference:

A2133 Brass, Bronze
A5133 Stainless
A8133 Steel

Not recommended for medium or high frequency doors, or doors with closing devices.

McKINNEY Hinge Catalog

Full Mortise Bearing Hinges

Five Knuckle Standard Weight Series

McKINNEY

1-800-346-7707

www.mckinneyhinge.com

TA2314

Stainless steel base or available in brass or bronze base material polished and plated or furnished in prime or powder coat.

TA2714

Steel base polished and plated or furnished in prime or powder coat finish.

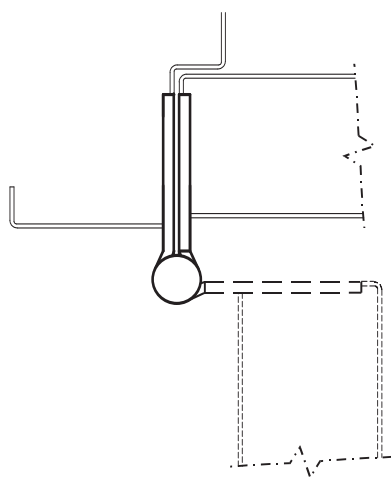


Available Options:

- NRP (non-removable pin)
- TB (ball bearing)
- TCA (concealed bearing)
- RC (round corner - 1/4" radius furnished unless specified otherwise)
- HT (hospital tip)
- BT (ball tip)
- ST (steeple tip)
- SSF (safety stud feature)
- QC (ElectroLynx hinge) 2, 4, 6, 8, 10 or 12 wire available
- CC (concealed circuit) 4, 6 or 8 wire available*
- CS- (concealed switch - handing required)*
- MM (magnetic monitoring)
- "S" (sherardizing, our additional rust resistant base under prime coat on steel base)
- Slip In (Type 1 or Type 2)
- Beveled Edge (where doors are beveled on hinge side specify TA4314 or TA4714)

* Not available in Stainless

APPLICATION



Available Sizes

Inches	MM	Gauge
3 1/2 x 3 1/2	88.9 x 88.9	.123
4 x 4	101.6 x 101.6	.130
4 1/2 x 4	114.3 x 101.6	.134
4 1/2 x 4 1/2	114.3 x 114.3	.134
5 x 4 1/2	127 x 114.3	.146
5 x 5	127 x 127	.146
6 x 6*	152.4 x 152.4	.160

*Not available in Stainless

Packing:

All standard weight full mortise non-ferrous hinges are packed with all machine x 1/2 wood screws. Steel hinges (except USP) are packed all machine x all wood screws. For special screws consult price book on availability.

ANSI Cross Reference:

A2112 Brass, Bronze
 A5112 Stainless
 A8112 Steel

Recommended for standard weight, medium frequency doors, or doors with closing devices.

McKINNEY Hinge Catalog

Wide Throw Full Mortise Bearing Hinges

Five Knuckle Standard Weight Series

McKINNEY

1-800-346-7707

www.mckinneyhinge.com

TA2398

Stainless steel base material polished and passivated.

TA2798

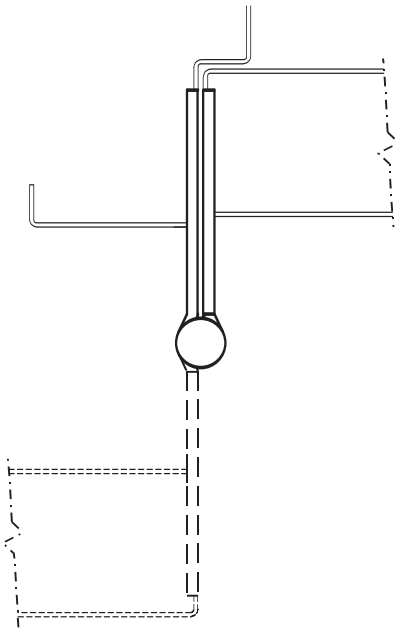
Steel base material polished and plated or furnished in prime or powder coat.



Available Options:

- NRP (non-removable pin)
 - RC (round corner - 1/4" radius furnished unless specified otherwise)
 - HT (hospital tip)
 - BT (ball tip)
 - ST (steeple tip)
 - SSF (safety stud feature)
 - RB (raised barrel)
 - QC (quick connect hinge) 2,4,6,8,10, or 12 wire available*
 - CC-4 (concealed circuit - 4 wire)* available on hinges up to 6 inches wide
 - MM (magnetic monitoring)
 - "S" (sherardizing, our additional rust resistant base under prime coat on steel base)
 - Beveled Edge (where doors are beveled on hinge side specify TA4398 or TA4798)
- *QC and CC options available on hinges up to 6" wide

APPLICATION



Available Sizes

Inches	MM	Gauge
4 x 7	101.6 x 177.8	.130
4½ x 6	114.3 x 152.4	.134
4½ x 7	114.3 x 177.8	.134
4½ x 8	114.3 x 203.2	.134
5 x 7	127 x 177.8	.146
5 x 8	127 x 203.2	.146

Packing:

All 5K standard weight full mortise wide throw hinges are packed with all machine and 1/2 wood screws. For special screws consult price book on availability.

ANSI Cross Reference:

A5112 Stainless
A8112 Steel

Recommended for use on high frequency and/or heavy wood or metal doors in schools, hospitals or other public buildings where heavy traffic is experienced and it is necessary to open the door around a large reveal.

McKINNEY Hinge Catalog

Full Mortise Bearing Hinges

Five Knuckle Heavy Weight Series

McKINNEY

1-800-346-7707

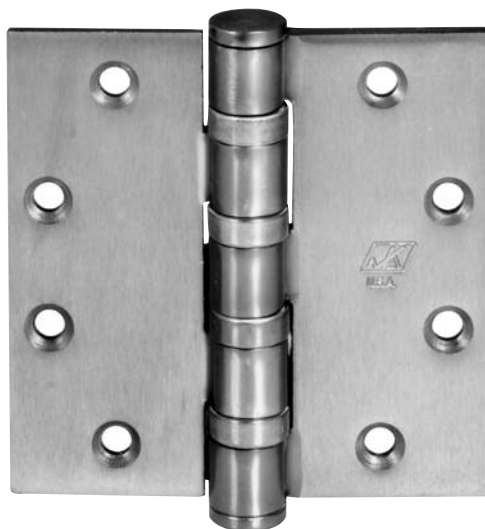
www.mckinneyhinge.com

T4A3386

Stainless steel base or available in brass or bronze base material polished and plated or furnished in prime or powder coat.

T4A3786

Steel material polished and plated or furnished in prime or powder coat.



Note: 8" x 6" and 8" x 8" have six bearings.

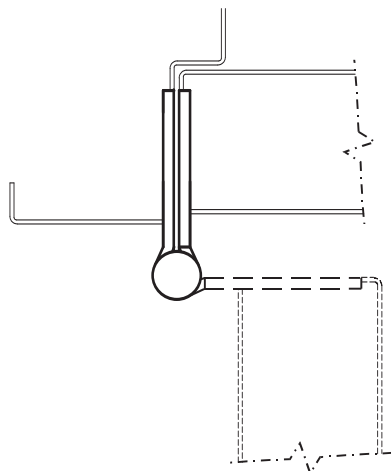
Available Options:

- NRP (non-removable pin)
- T4B (ball bearing)
- TCA (concealed bearing)
- RC (round corner - 1/4" radius furnished unless specified otherwise)
- HT (hospital tip)
- BT (ball tip)
- ST (steeple tip)
- SSF (safety stud feature)
- RB (raised barrel)*
- QC (ElectroLynx hinge) 2, 4, 6, 8, 10 or 12 wire available
- CC (concealed circuit) 4, 6 or 8 wire available**
- CS- (concealed switch - handing required)**
- MM (magnetic monitoring)
- "S" (sherardizing, our additional rust resistant base under prime coat on steel base)
- Beveled Edge (where doors are beveled on hinge side specify T4A4386 or T4A4786)

*Refer to page 104 for raised barrel.

** Not available in Stainless

APPLICATION



Available Sizes

Inches	MM	Gauge
4 1/2 x 4 1/2	114.3 x 114.3	.180
5 x 4 1/2	127 x 114.3	.190
5 x 5	127 x 127	.190
6 x 5	152.4 x 127	.203
6 x 6*	152.4 x 152.4	.203
8 x 6*	203.2 x 152.4	.225
8 x 8*	203.2 x 203.2	.225

* Supplied in Bronze or Steel only

Packing:

All 5K heavy weight full mortise hinges are packed with all machine and 1/2 wood screws. For special screws consult price book on availability.

ANSI Cross Reference:

A2111 Brass, Bronze
A5111 Stainless
A8111 Steel

Recommended for use on high frequency and/or heavy wood or metal doors in schools, hospitals or other public buildings where heavy traffic is experienced.

McKINNEY Hinge Catalog

Wide Throw Full Mortise Bearing Hinges

Five Knuckle Heavy Weight Series

McKINNEY

1-800-346-7707

www.mckinneyhinge.com

T4A3386

Stainless steel base or available in brass or bronze base material polished and plated or furnished in prime or powder coat.

T4A3786

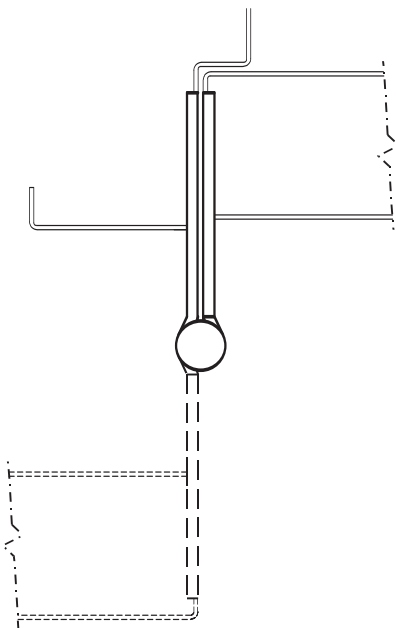
Steel base material polished and plated or furnished in prime or powder coat.



Available Options:

- NRP (non-removable pin)
- T4B (ball bearing)
- RC (round corner - 1/4" radius furnished unless specified otherwise)
- HT (hospital tip)
- BT (ball tip)
- ST (steeple tip)
- SSF (safety stud feature)
- MM (magnetic monitoring)
- "S" (sherardizing, our additional rust resistant base under prime coat on steel base)
- Beveled Edge (where doors are beveled on hinge side specify T4A4386 or T4A4786)

APPLICATION



Available Sizes

Inches	MM	Gauge
4½ x 5	114.3 x 127	.180
4½ x 6	114.3 x 152.4	.190
4½ x 7	114.3 x 177.8	.190
4½ x 8	114.3 x 203.2	.180
5 x 6	127 x 152.4	.190
5 x 7	127 x 177.8	.190
5 x 8	127 x 203.2	.190

Packing:

All 5K full mortise heavy duty wide throw hinges are packed with all machine and 1/2 wood screws. For special screws consult price book on availability.

ANSI Cross Reference:

A2111 Brass, Bronze
A5111 Stainless
A8111 Steel

Recommended for use on high frequency and/or heavy wood or metal doors in schools, hospitals or other public buildings where heavy traffic is experienced.

McKINNEY Hinge Catalog

Swing Clear Full Mortise Bearing Hinges

Five Knuckle Standard Weight Series (Reversible)

McKINNEY

1-800-346-7707

www.mckinneyhinge.com

TA2395 / TA2895

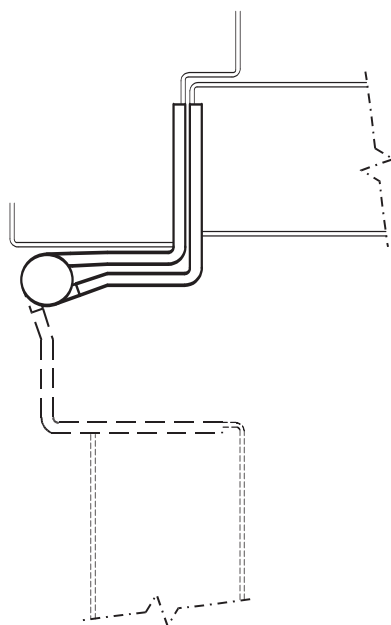
Stainless steel material or steel base material polished and plated or furnished in prime or powder coat.



Available Options:

- TB (ball bearing)
- RC (round corner - 1/4" radius furnished unless specified otherwise)
- HT (hospital tip)
- SSF (safety stud feature)
- MM (magnetic monitoring)
- "S" (sherardizing, our additional rust resistant base under prime coat on steel base)
- Beveled Edge (where doors are beveled on hinge side specify TA4895 or TA4395)

APPLICATION



Available Sizes

Inches	MM	Gauge
4 1/2	114.3	.134

Packing:

All 5K standard weight full mortise hinges are packed with all machine and 1/2 wood screws. For special screws consult price book on availability. The pin is held in place by an NRP set screw which allows the hinge to be reversible.

ANSI Cross Reference:

A8122 Steel

Recommended for use on high frequency and/or heavy wood or metal doors in schools, hospitals or other public buildings where heavy traffic is experienced. Hinge allows for maximum clearance for passage of beds, tables or other equipment through doorway. Pressed steel jambs require no special reinforcing.

McKINNEY Hinge Catalog

Swing Clear Full Mortise Bearing Hinges

Five Knuckle Heavy Weight Series (Reversible)

McKINNEY

1-800-346-7707

www.mckinneyhinge.com

T4A3395

Stainless steel material polished and passivated.

T4A3795

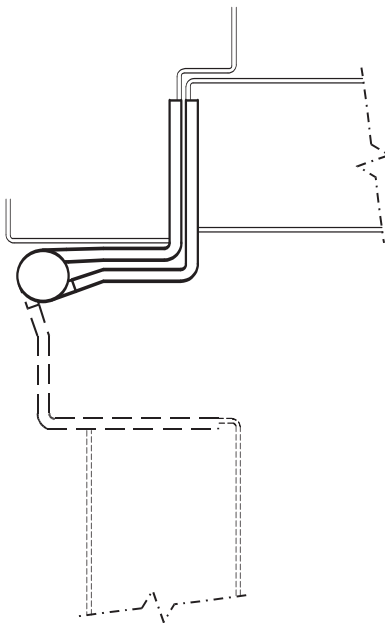
Steel base material polished and plated or furnished in prime or powder coat.



Available Options:

- T4B (ball bearing)
- RC (round corner - 1/4" radius furnished unless specified otherwise)
- HT (hospital tip)
- SSF (safety stud feature)
- MM (magnetic monitoring)
- "S" (sherardizing, our additional rust resistant base under prime coat on steel base)
- Beveled Edge (where doors are beveled on hinge side specify T4A4395 or T4A4795)

APPLICATION



Available Sizes

Inches	MM	Gauge
4 1/2	114.3	.180
5	127	.190

Packing:

All 5K heavy weight full mortise hinges are packed with all machine and 1/2 wood screws. For special screws consult price book on availability. The pin is held in place by an NRP set screw which allows the hinge to be reversible.

ANSI Cross Reference:

A5121 Stainless
A8121 Steel

Recommended for use on high frequency and/or heavy wood or metal doors in schools, hospitals or other public buildings where heavy traffic is experienced. Hinge allows for maximum clearance for passage of beds, tables or other equipment through doorway. Pressed steel jambs require no special reinforcing.