

McKINNEY Hinge Catalog

Full Surface Bearing Hinges

Three Knuckle Heavy Weight Series

McKINNEY

1-800-346-7707

www.mckinneyhinge.com

TA381

Stainless steel base material polished and passivated or Bronze base material polished and plated or furnished in prime or powder coat.

TA781

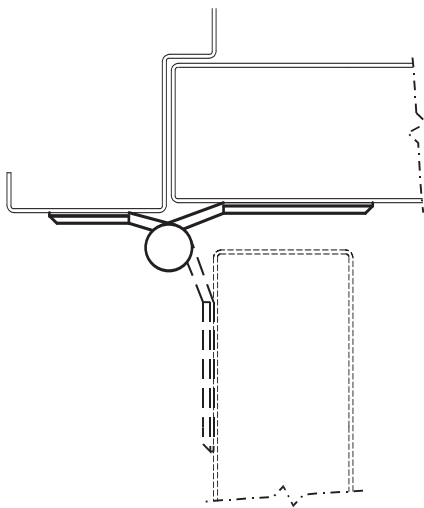
Steel base material polished and plated or furnished in prime or powder coat.

Available Options

- HT (hospital tip)



APPLICATION



Available Sizes

Inches	MM	Gauge
4½	114.3	.134
5	127.0	.146

The narrow leaf is applied to the surface of the jamb with machine (½x12-24)* screws and the door leaf is applied to the surface of the door with wood screws or grommet nuts and bolts (2x¼-20). Specify door thickness if greater than 1¾".

Recommended for use on high frequency and/or heavy weight wood or Kalamein doors in schools, hospitals or other public buildings where medium traffic prevails. The hinges may be used on channel iron frames.

ANSI Cross Reference

A2311 Bronze
A5311 Stainless
A8311 Steel

McKINNEY Hinge Catalog

Full Surface Bearing Hinges

Five Knuckle Heavy Weight Series

McKINNEY

1-800-346-7707

www.mckinneyhinge.com

T4A3381

Stainless steel base material polished and passivated or Bronze base material polished and plated or furnished in prime or powder coat.

T4A3781

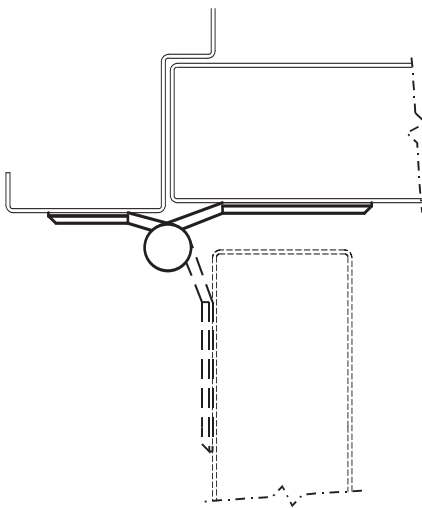
Steel base material polished and plated or furnished in prime or powder coat.

Available Options

- T4B (ball bearing)
- TCA (concealed bearing)
- HT (hospital tip)
- "S" (sherardizing, our additional rust resistant base under prime coat on steel base)



APPLICATION



Available Sizes

Inches	MM	Gauge
4½	114.3	.134
5	127.0	.146
6*	152.4	.203

* Not available in Stainless Steel

The narrow leaf is applied to the surface of the jamb with machine (½x12-24)* screws and the door leaf is applied to the surface of the door with wood screws or grommet nuts and bolts (2x¼-20). Specify door thickness if greater than 1¾".

* (½x1¼-20 provided on 6")

ANSI Cross Reference

A2311 Bronze
A5311 Stainless
A8311 Steel

Recommended for use on high frequency and/or heavy weight wood or Kalamein doors in schools, hospitals or other public buildings where medium traffic prevails. The hinges may be used on channel iron frames.

McKINNEY Hinge Catalog

Full Surface Bearing Hinges

Three Knuckle Standard Weight Series

McKINNEY

1-800-346-7707

www.mckinneyhinge.com

TA371

Stainless steel base material polished and passivated or Bronze base material polished and plated or furnished in prime or powder coat.

TA771

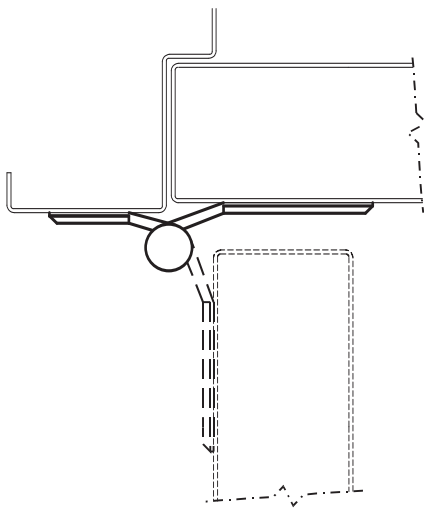
Steel base material polished and plated or furnished in prime or powder coat.

Available Options

- HT (hospital tip)
- "S" (sherardizing, our additional rust resistant base under prime coat on steel base)



APPLICATION



Available Sizes

Inches	MM	Gauge
4½	114.3	.134
5	127.0	.146

The narrow leaf is applied to the surface of the jamb with machine (½x12-24) screws and the door leaf is applied to the surface of the door with wood screws or grommet nuts and bolts (2x¼-20). Specify door thickness if greater than 1¾".

ANSI Cross Reference

A8312 Steel

Recommended for use on standard weight and/or medium frequency doors in schools, hospitals or other public buildings where medium traffic prevails. The hinges may be used on channel iron frames.

McKINNEY Hinge Catalog

Full Surface Bearing Hinges

Five Knuckle Standard Weight Series

McKINNEY

1-800-346-7707

www.mckinneyhinge.com

TA2371

Stainless steel base material polished and passivated or Bronze base material polished and plated or furnished in prime or powder coat.

TA2771

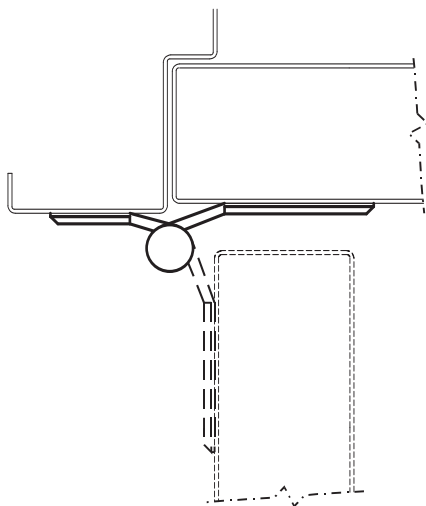
Steel base material polished and plated or furnished in prime or powder coat.



Available Options

- TB (ball bearing)
- TCA (concealed bearing)
- HT (hospital tip)
- "S" (sherardizing, our additional rust resistant base under prime coat on steel base)

APPLICATION



Available Sizes

Inches	MM	Gauge
4½	114.3	.134
5	127.0	.146

The narrow leaf is applied to the surface of the jamb with machine (½x12-24) screws and the door leaf is applied to the surface of the door with wood screws or grommet nuts and bolts (2x¼-20). Specify door thickness if greater than 1¾".

ANSI Cross Reference

A8312 Steel

Recommended for use on standard weight and/or medium frequency doors in schools, hospitals or other public buildings where medium traffic prevails. The hinges may be used on channel iron frames.

McKINNEY Hinge Catalog

Full Surface Swing Clear Bearing Hinges

Three Knuckle Heavy Weight Series

McKINNEY

1-800-346-7707

www.mckinneyhinge.com

TA797

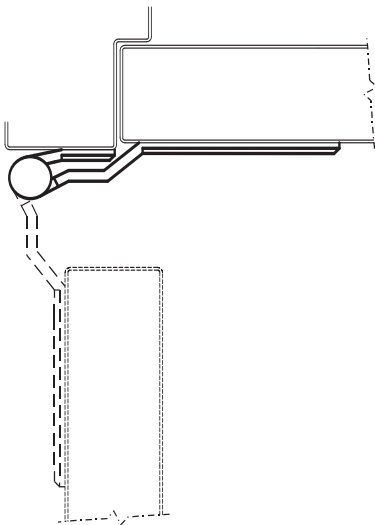
Steel base material polished and plated or furnished in prime or powder coat.



Available Options

- HT (hospital tip)
- "S" (sherardizing, our additional rust resistant base under prime coat on steel base)

APPLICATION



Available Sizes

Inches	MM	Gauge
5	127.0	.190

The narrow leaf is applied to the surface of the jamb with machine ($\frac{1}{2} \times \frac{1}{4}$ -20) screws and the door leaf is applied to the surface of the door with wood screws ($1 \times \frac{1}{4}$ -14) or grommet nuts and bolts ($2 \times \frac{1}{4}$ -20). Specify door thickness if greater than $1\frac{3}{4}$ ".

Recommended for use on high frequency and/or heavy weight wood or Kalamein doors in hospitals or other institutions where heavy traffic prevails. This hinge allows for the maximum clearance for passage of beds, tables and other equipment through the doorway.

ANSI Cross Reference

A8321 Steel

McKINNEY Hinge Catalog

Full Surface Swing Clear Bearing Hinges

Five Knuckle Heavy Weight Series

McKINNEY

1-800-346-7707

www.mckinneyhinge.com

T4A3797

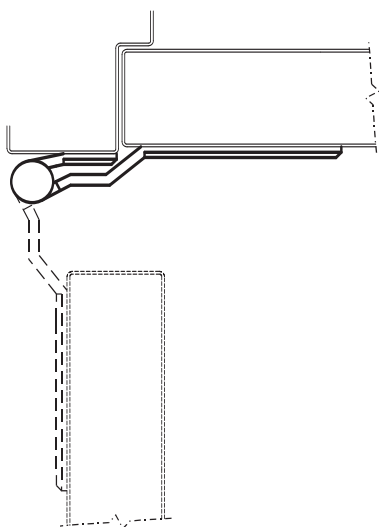
Steel base material polished and plated or furnished in prime or powder coat.



Available Options

- T4B (ball bearing)
- HT (hospital tip)
- "S" (sherardizing, our additional rust resistant base under prime coat on steel base)

APPLICATION



Available Sizes

Inches	MM	Gauge
5	127.0	.190

The narrow leaf is applied to the surface of the jamb with machine ($\frac{1}{2} \times \frac{1}{4}$ -20) screws and the door leaf is applied to the surface of the door with wood screws ($1 \times \frac{1}{4}$ -14) or grommet nuts and bolts ($2 \times \frac{1}{4}$ -20). Specify door thickness if greater than $1\frac{3}{4}$ ".

ANSI Cross Reference

A8321 Steel

Recommended for use on high frequency and/or heavy weight wood or Kalamein doors in hospitals or other institutions where heavy traffic prevails. This hinge allows for the maximum clearance for passage of beds, tables and other equipment through the doorway.