

McKINNEY Hinge Catalog

Half Mortise Plain Bearing Hinges

Five Knuckle Standard Weight Series (Reversible)

McKINNEY

1-800-346-7707

www.mckinneyhinge.com

T2774

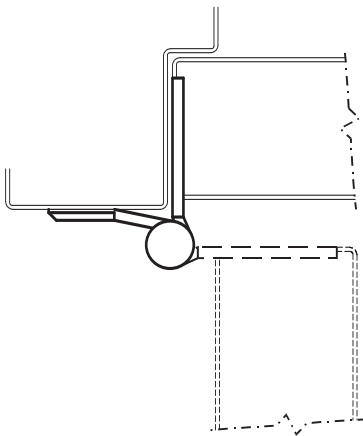
Steel base material polished and plated or furnished in prime or powder coat.



Available Options:

- HT (hospital tip)
- “S” (sherardizing, our additional rust resistant base under prime coat on steel base)
- Beveled Edge (where doors are beveled on hinge side specify T4774)

APPLICATION



Recommended for use on minimum frequency and/or light weight wood or stock hollow metal doors in residences, apartments or other very low frequency doors in commercial construction. The hinges may be used on channel iron jambs.

Note: Bearing hinges should be used on high and average frequency doors and on all doors equipped with door closers and/or door holders.

Available Sizes

Inches	MM	Gauge
4 1/2	114.3	.134

Packing:

All 5K plain bearing standard weight half mortise hinges are packed with all machine screws. For special screws consult price book on availability. The jamb leaf is applied to the surface of the jamb with machine screws. The door leaf is mortised into the edge of the door. The pin is held in place by an NRP set screw which allows the hinge to be reversible.

ANSI Cross Reference

A8233 Steel

McKINNEY Hinge Catalog

Half Mortise Bearing Hinges

Five Knuckle Standard Weight Series (Reversible)

McKINNEY

1-800-346-7707

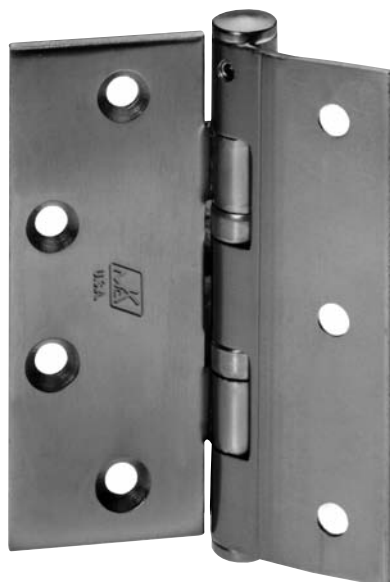
www.mckinneyhinge.com

TA3374

Stainless steel base material polished and passivated or Bronze base material polished and plated or furnished in prime or powder coat.

TA2774

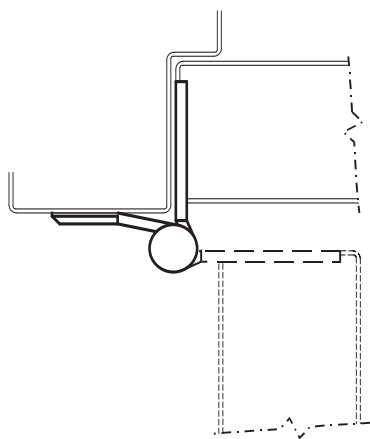
Steel base material polished and plated or furnished in prime or powder coat.



Available Options:

- TB (ball bearing)
- TCA (concealed bearing)
- HT (hospital tip)
- "S" (sherardizing, our additional rust resistant base under prime coat on steel base)
- Beveled Edge (where doors are beveled on hinge side specify TA4374 or TA4774)

APPLICATION



Available Sizes

Inches	MM	Gauge
4½	114.3	.134
5	127.0	.146

Packing:

All 5K standard weight half mortise hinges are packed with all machine screws. For special screws consult price book on availability. The jamb leaf is applied to the surface of the jamb with machine screws. The door leaf is mortised into the edge of the door. The pin is held in place by an NRP set screw which allows the hinge to be reversible.

ANSI Cross Reference

A2212 Bronze
A5212 Stainless
A8212 Steel

Recommended for use on average frequency and/or medium weight wood or metal doors in schools, hospitals or other public buildings where medium traffic is experienced. The hinges may be used on channel iron jambs.

McKINNEY Hinge Catalog

Half Mortise Bearing Hinges

Three Knuckle Standard Weight Series (Reversible)

McKINNEY

1-800-346-7707

www.mckinneyhinge.com

TA374

Stainless steel base material polished and passivated or Bronze base material polished and plated or furnished in prime or powder coat.

TA774

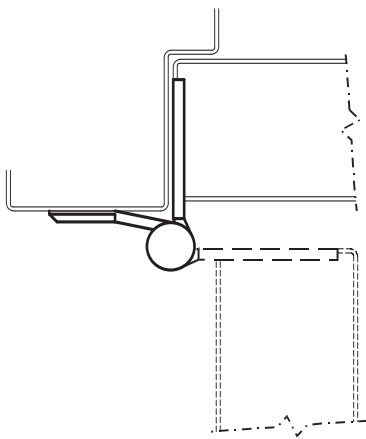
Steel base material polished and plated or furnished in prime or powder coat.

Available Options

- HT (hospital tip)
- "S" (sherardizing, our additional rust resistant base under prime coat on steel base)
- Beveled Edge (where doors are beveled on hinge side specify TA5374 or TA5774)



APPLICATION



Recommended for use on average frequency and/or medium weight wood or metal doors in schools, hospitals or other public buildings where medium traffic is experienced. The hinges may be used on channel iron jambs.

Available Sizes

Inches	MM	Gauge
4½	114.3	.134
5	127.0	.146

Packing:

All 3K standard weight half mortise hinges are packed with all machine screws. For special screws consult price book on availability. The jamb leaf is applied to the surface of the jamb with machine screws. The door leaf is mortised into the edge of the door. The pin is held in place by an NRP set screw which allows the hinge to be reversible.

ANSI Cross Reference

A2212 Bronze
A5212 Stainless
A8212 Steel

McKINNEY Hinge Catalog

Half Mortise Bearing Hinges

Three Knuckle Heavy Weight Series (Reversible)

McKINNEY

1-800-346-7707

www.mckinneyhinge.com

TA384

Stainless steel base material polished and passivated or Bronze base material polished and plated or furnished in prime or powder coat.

TA784

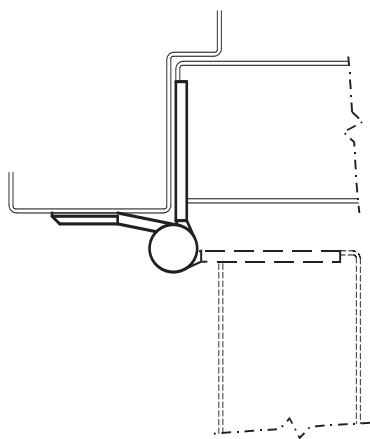
Steel base material polished and plated or furnished in prime or powder coat.

Available Options

- HT (hospital tip)
- "S" (sherardizing, our additional rust resistant base under prime coat on steel base)
- Beveled Edge (where doors are beveled on hinge side specify TA5384 or TA5784)



APPLICATION



Available Sizes

Inches	MM	Gauge
4½	114.3	.180
5	127.0	.190
6*	152.4	.203

* Advise door thickness 1¾" or 2¼"

Packing:

All 3K heavy weight half mortise hinges are packed with all machine screws. For special screws consult price book on availability. The jamb leaf is applied to the surface of the jamb with machine screws. The door leaf is mortised into the edge of the door. The pin is held in place by an NRP set screw which allows the hinge to be reversible.

ANSI Cross Reference

A2211 Bronze
A5211 Stainless
A8211 Steel

Recommended for use on high frequency and/or heavy weight wood or metal doors in schools, hospitals or other public buildings where heavy traffic is experienced. The hinges may be used on channel iron jambs.

McKINNEY Hinge Catalog

Half Mortise Bearing Hinges

Five Knuckle Heavy Weight Series (Reversible)

McKINNEY

1-800-346-7707

www.mckinneyhinge.com

T4A3384

Stainless steel base material polished and passivated or Bronze base material polished and plated or furnished in prime or powder coat.

T4A3784

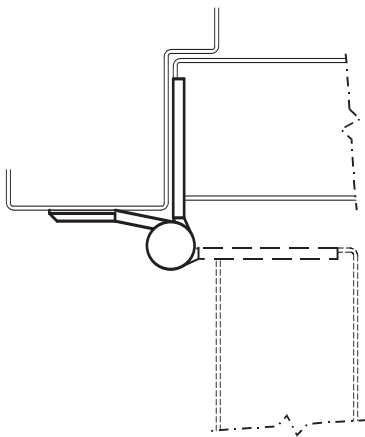
Steel base material polished and plated or furnished in prime or powder coat.

Available Options

- T4B (ball bearing)
- TCA (concealed bearing)
- HT (hospital tip)
- "S" (sherardizing, our additional rust resistant base under prime coat on steel base)
- Beveled Edge (where doors are beveled on hinge side specify T4A4384 or T4A4784)



APPLICATION



Recommended for use on high frequency and/or heavy weight wood or metal doors in schools, hospitals or other public buildings where heavy traffic is experienced. The hinges may be used on channel iron jambs.

Available Sizes

Inches	MM	Gauge
4½	114.3	.180
5	127.0	.190
6*	152.4	.203

* Advise door thickness 1¾" or 2¼"

Packing:

All 5K heavy weight half mortise hinges are packed with all machine screws. For special screws consult price book on availability. The jamb leaf is applied to the surface of the jamb with machine screws. The door leaf is mortised into the edge of the door. The pin is held in place by an NRP set screw which allows the hinge to be reversible.

ANSI Cross Reference

A2211 Bronze
A5211 Stainless
A8211 Steel

McKINNEY Hinge Catalog

Swing Clear Half Mortise Bearing Hinges

Three Knuckle Heavy Weight Series (Reversible)

McKINNEY

1-800-346-7707

www.mckinneyhinge.com

TA789

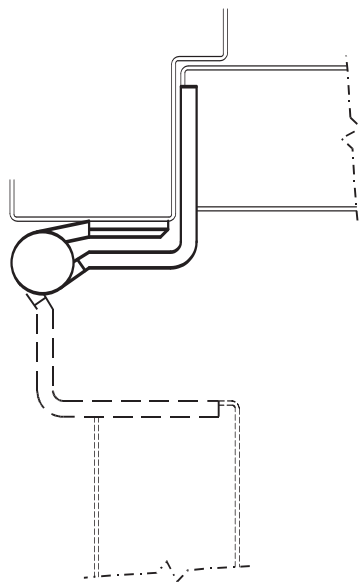
Steel base material polished and plated or furnished in prime or powder coat.



Available Options

- HT (hospital tip)
- "S" (sherardizing, our additional rust resistant base under prime coat on steel base)
- Beveled Edge (where doors are beveled on hinge side specify TA5789)

APPLICATION



Available Sizes

Inches	MM	Gauge
5	127.0	.190

Packing:

All 3K swing clear heavy weight half mortise hinges are packed with all machine screws for the door and $\frac{1}{2} \times \frac{1}{4}$ -20 machine screws for the jamb leaf. For special screws consult price book on availability. The jamb leaf is applied to the surface of the jamb with machine screws. The door leaf is mortised into the edge of the door. The pin is held in place by an NRP set screw which allows the hinge to be reversible.

ANSI Cross Reference

A8221 Steel

Recommended for use on high frequency and/or heavy weight wood or metal doors in schools, hospitals or other public buildings where heavy traffic is experienced. The swing of these hinges allows maximum clearance for passage of beds, tables or other equipment through door openings. These hinges may be used on channel iron frames.

McKINNEY Hinge Catalog

Swing Clear Half Mortise Bearing Hinges

Five Knuckle Heavy Weight Series (Reversible)

McKINNEY

1-800-346-7707

www.mckinneyhinge.com

T4A3789

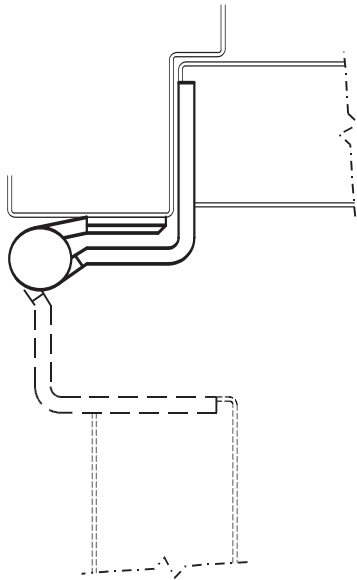
Steel base material polished and plated or furnished in prime or powder coat.



Available Options

- T4B (ball bearing)
- HT (hospital tip)
- "S" (sherardizing, our additional rust resistant base under prime coat on steel base)
- Beveled Edge (where doors are beveled on hinge side specify T4A4789)

APPLICATION



Recommended for use on high frequency and/or heavy weight wood or metal doors in schools, hospitals or other public buildings where heavy traffic is experienced. The swing of these hinges allows maximum clearance for passage of beds, tables or other equipment through door openings. These hinges may be used on channel iron frames.

Available Sizes

Inches	MM	Gauge
5	127.0	.190

Packing:

All 5K swing clear heavy weight half mortise hinges are packed with all machine and 1/2 wood screws for the door and 1/2 x 1/4-20 machine screws for the jamb leaf. For special screws consult price book on availability. The jamb leaf is applied to the surface of the jamb with machine screws. The door leaf is mortised into the edge of the door. The pin is held in place by an NRP set screw which allows the hinge to be reversible.

ANSI Cross Reference

A8221 Steel