

McKINNEY Hinge Catalog

Half Surface Bearing Hinges

Three Knuckle Standard Weight Series (Reversible)

McKINNEY

1-800-346-7707

www.mckinneyhinge.com

TA372

Stainless steel base material polished and passivated or Bronze base material polished and plated or furnished in prime or powder coat.

TA772

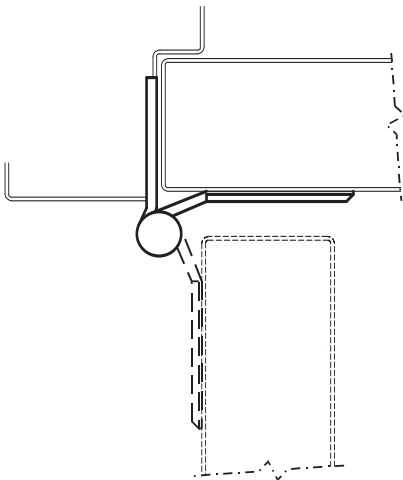
Steel base material polished and plated or furnished in prime or powder coat.

Available Options

- Back Plate (BP-10)
- HT (hospital tip)
- "S" (sherardizing, our additional rust resistant base under prime coat on steel base)



APPLICATION



Recommended for use on average frequency and/or medium weight wood or metal doors in schools, hospitals or other public buildings where medium traffic is experienced.

Available Sizes

Inches	MM	Gauge
4½	114.3	.134
5	127.0	.146

Packing:

All 3K standard weight half surface hinges are packed with all machine screws and 2 x 1/4-20 door bolts. For special screws consult price book on availability. The jamb leaf is fastened into the mortise with machine screws. The door leaf is applied full surface with wood screws or grommet nuts and bolts. Specify if the door thickness is greater than 1¾" to insure that proper bolt is packed. The pin is held in place by an NRP set screw which allows the hinge to be reversible.

ANSI Cross Reference

A2212 Bronze
A5212 Stainless
A8212 Steel

McKINNEY Hinge Catalog

Half Surface Bearing Hinges

Three Knuckle Heavy Weight Series (Reversible)

McKINNEY

1-800-346-7707

www.mckinneyhinge.com

TA382

Stainless steel base material polished and passivated or Bronze base material polished and plated or furnished in prime or powder coat.

TA782

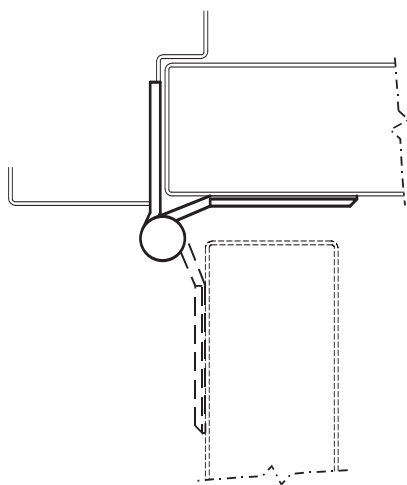
Steel base material polished and plated or furnished in prime or powder coat.



Available Options

- Back Plate (BP-10)
- TB (ball bearing)
- HT (hospital tip)
- "S" (sherardizing, our additional rust resistant base under prime coat on steel base)

APPLICATION



Available Sizes

Inches	MM	Gauge
4½	114.3	.180
5	127.0	.190
6	152.4	.203*

* Not available in Stainless Steel

Packing:

All 3K heavy weight half surface hinges are packed with all machine screws and door bolts. For special screws consult price book on availability. The jamb leaf is fastened into the mortise with machine screws. The door leaf is applied full surface with wood screws or grommet nuts and bolts. Specify if the door thickness is greater than 1³/₄" to insure that proper bolt is packed. The pin is held in place by an NRP set screw which allows the hinge to be reversible.

ANSI Cross Reference

A2411 Bronze
A5411 Stainless
A8411 Steel

Recommended for use on high frequency and/or heavy weight wood or metal doors in schools, hospitals or other public buildings where heavy traffic is experienced.

McKINNEY Hinge Catalog

Half Surface Plain Bearing Hinges

Five Knuckle Standard Weight Series (Reversible)

McKINNEY

1-800-346-7707

www.mckinneyhinge.com

T2772

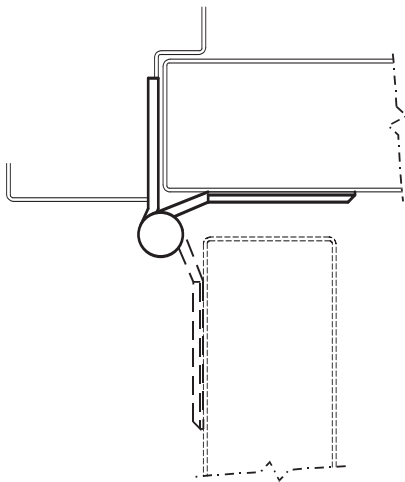
Steel base material polished and plated or furnished in prime or powder coat.



Available Options

- Back Plate (BP-10)
- HT (hospital tip)
- "S" (sherardizing, our additional rust resistant base under prime coat on steel base)

APPLICATION



Available Sizes

Inches	MM	Gauge
4 1/2	114.3	.134

Packing:

All 5K plain bearing standard weight half surface hinges are packed with all machine screws and 2 x 1/4-20 door bolts. For special screws consult price book on availability. The jamb leaf is fastened into the mortise with machine screws. The door leaf is applied full surface with wood screws or grommet nuts and bolts. Specify if the door thickness is greater than 1 3/4" to insure that proper bolt is packed. The pin is held in place by an NRP set screw which allows the hinge to be reversible.

Recommended for use on minimum frequency and/or light weight wood or stock hollow metal doors in residences, apartments or other very low frequency doors in commercial construction. The hinges may be used on channel iron jambs.

Note: Bearing hinges should be used on high and average frequency doors and on all doors equipped with door closers and/or door holders.

ANSI Cross Reference

A8433 Steel

McKINNEY Hinge Catalog

Half Surface Bearing Hinges

Five Knuckle Standard Weight Series (Reversible)

McKINNEY

1-800-346-7707

www.mckinneyhinge.com

TA2372

Stainless steel base material polished and passivated or Bronze base material polished and plated or furnished in prime or powder coat.

TA2772

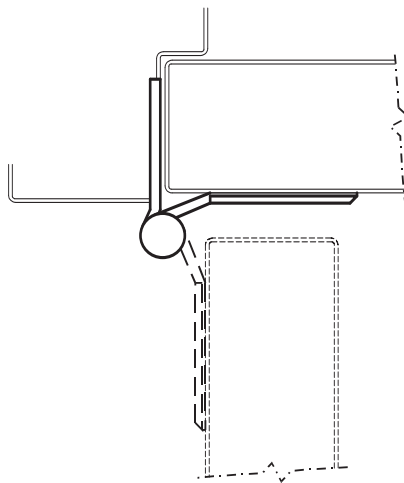
Steel base material polished and plated or furnished in prime or powder coat.



Available Options

- Back Plate (BP-10)
- TB (ball bearing)
- TCA (concealed bearing)
- HT (hospital tip)
- "S" (sherardizing, our additional rust resistant base under prime coat on steel base)

APPLICATION



Available Sizes

Inches	MM	Gauge
4½	114.3	.134
5	127.0	.146

Packing:

All 5K standard weight half surface hinges are packed with all machine screws and 2 x ¼-20 door bolts. For special screws consult price book on availability. The jamb leaf is fastened into the mortise with machine screws. The door leaf is applied full surface with wood screws or grommet nuts and bolts. Specify if the door thickness is greater than 1¾" to insure that proper bolt is packed. The pin is held in place by an NRP set screw which allows the hinge to be reversible.

ANSI Cross Reference

A2412 Bronze
A5412 Stainless
A8412 Steel

Recommended for use on average frequency and/or medium weight wood or metal doors in schools, hospitals or other public buildings where medium traffic is experienced.

McKINNEY Hinge Catalog

Half Surface Bearing Hinges

Five Knuckle Heavy Weight Series (Reversible)

McKINNEY

1-800-346-7707

www.mckinneyhinge.com

T4A3382

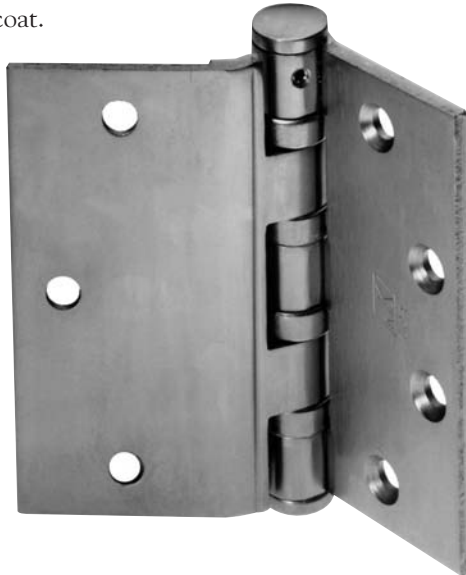
Stainless steel base material polished and passivated or Bronze base material polished and plated or furnished in prime or powder coat.

T4A3782

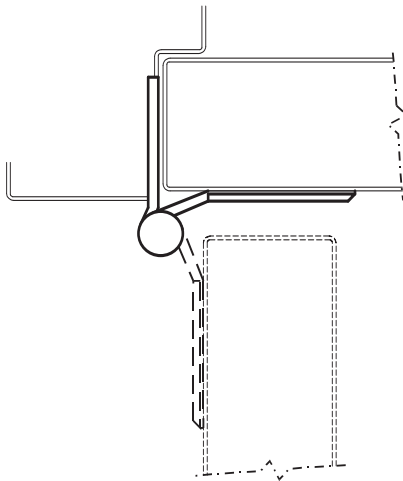
Steel base material polished and plated or furnished in prime or powder coat.

Available Options

- Back Plate (BP-10)
- TB (ball bearing)
- TCA (concealed bearing)
- HT (hospital tip)
- "S" (sherardizing, our additional rust resistant base under prime coat on steel base)



APPLICATION



Available Sizes

Inches	MM	Gauge
4½	114.3	.180
5	127.0	.190
6*	152.4	.203

* Not available in Stainless Steel or TCA

Packing:

All 5K standard weight half surface hinges are packed with all machine screws and 2 x ¼-20 door bolts. For special screws consult price book on availability. The jamb leaf is fastened into the mortise with machine screws. The door leaf is applied full surface with wood screws or grommet nuts and bolts. Specify if the door thickness is greater than 1¾" to insure that proper bolt is packed. The pin is held in place by an NRP set screw which allows the hinge to be reversible.

ANSI Cross Reference

A2411 Bronze
A5411 Stainless
A8411 Steel

Recommended for use on high frequency and/or heavy weight wood or metal doors in schools, hospitals or other public buildings where heavy traffic is experienced.

McKINNEY Hinge Catalog

Swing Clear Half Surface Bearing Hinges

Three Knuckle Heavy Weight Series (Reversible)

McKINNEY

1-800-346-7707

www.mckinneyhinge.com

TA796

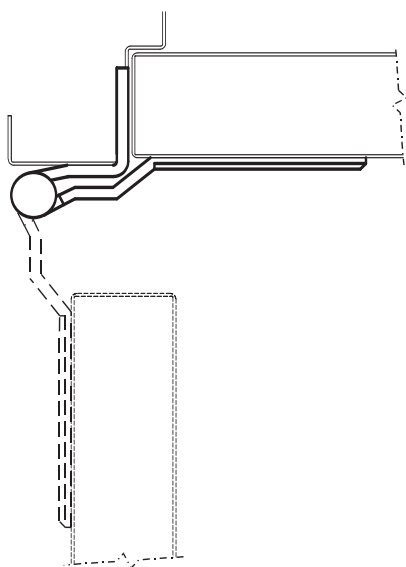
Steel base material polished and plated or furnished in prime or powder coat.



Available Options

- HT (hospital tip)
- "S" (sherardizing, our additional rust resistant base under prime coat on steel base)

APPLICATION



Available Sizes

Inches	MM	Gauge
5	127.0	.190

Packing:

All 3K swing clear heavy weight half surface hinges are packed with all machine and 1/2 wood screws for the door and 1/2 x 1/4-20 machine screws for the jamb leaf. For special screws consult price book on availability. The jamb leaf is applied to the surface of the jamb with machine screws. The door leaf is mortised into the edge of the door. The pin is held in place by an NRP set screw which allows the hinge to be reversible.

ANSI Cross Reference

A8421 Steel

Recommended for use on high frequency and/or heavy weight wood or metal doors in schools, hospitals or other public buildings where heavy traffic is experienced. The swing of these hinges allows maximum clearance for passage of beds, tables or other equipment through door openings.

McKINNEY Hinge Catalog

Swing Clear Half Surface Bearing Hinges

Five Knuckle Heavy Weight Series (Reversible)

McKINNEY

1-800-346-7707

www.mckinneyhinge.com

T4A3796

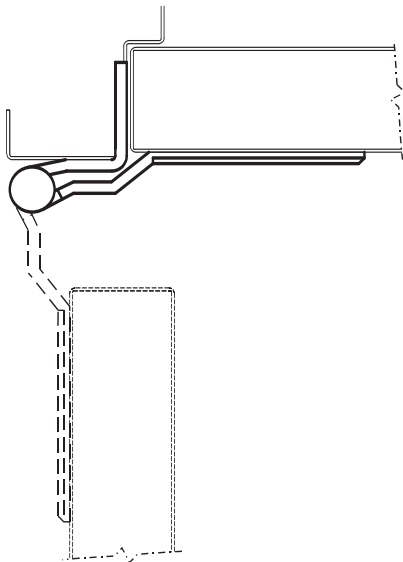
Steel base material polished and plated or furnished in prime or powder coat.



Available Options

- T4B (ball bearing)
- HT (hospital tip)
- “S” (sherardizing, our additional rust resistant base under prime coat on steel base)

APPLICATION



Recommended for use on high frequency and/or heavy weight wood or metal doors in schools, hospitals or other public buildings where heavy traffic is experienced. The swing of these hinges allows maximum clearance for passage of beds, tables or other equipment through door openings.

Available Sizes

Inches	MM	Gauge
5	127.0	.190

Packing:

All 5K swing clear heavy weight half surface hinges are packed with all machine and $\frac{1}{2}$ wood screws for the door and $\frac{1}{2} \times \frac{1}{4}$ -20 machine screws for the jamb leaf. For special screws consult price book on availability. The jamb leaf is applied to the surface of the jamb with machine screws. The door leaf is mortised into the edge of the door. The pin is held in place by an NRP set screw which allows the hinge to be reversible.

ANSI Cross Reference

A8421 Steel