

McKINNEY Hinge Catalog

Hinge Back Plate

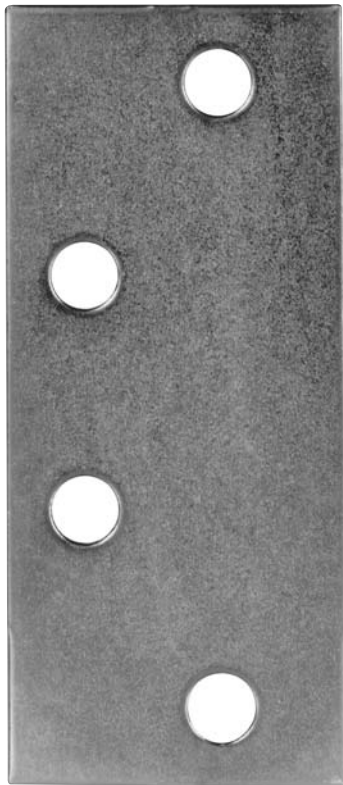
McKINNEY

1-800-346-7707

www.mckinneyhinge.com

BP-10 / BP-11 / BP-12

Furnished painted or in finely plated finish.



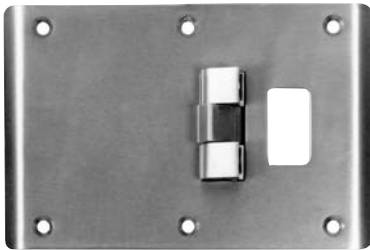
CSS-9

.095 gauge brass material polished and plated. Manufactured for use with cylindrical or bored locks.

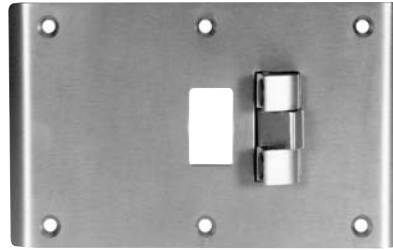
Features:

- Available in offset or center hung latch bolt location for frame sizes 5 $\frac{3}{4}$ " and 6 $\frac{3}{4}$ "

OFFSET HUNG

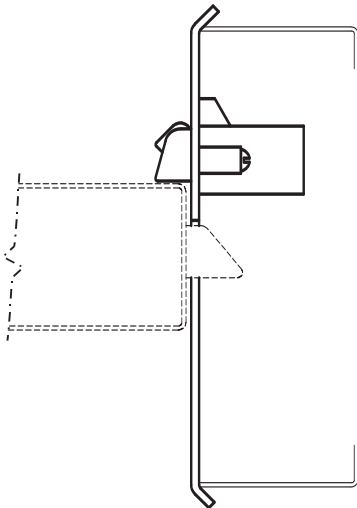


CENTER HUNG



May not work with mortise locks. Consult the factory for mortise lock application.

APPLICATION



Packing:

All Combination Strike and Stops are packed with 1/2 x 8-32 machine screws.

Recommended for installations on hospital or nursing home toilet doors along with our EP5-J. This unit allows center hung or 1/8" inset doors to be opened in both directions without damaging the frame.

DS-6

Bronze material polished and plated, rubber bumper insert encased in high impact ABS plastic case.



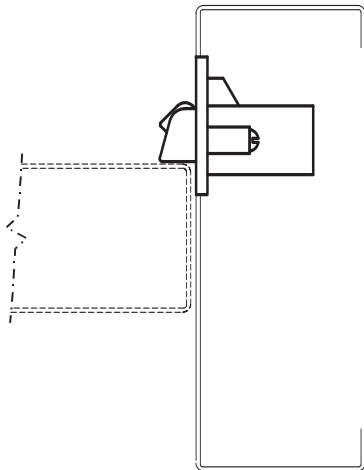
Features:

- Used to convert double acting doors hung on center pivots to single acting doors
- Emergency release allows door to swing open in the opposite direction
- Mortise only on frame
- Latch releases with a touch of the finger
- Second touch of lever returns latch to original position

Specifications for DS-6

Size of Surface Plate	4½" x 1⅝"
Bolt Length	2"
Size of Case	2⅛" x 1⅝"

APPLICATION



Recommended for installation with our EP-5J pivot in schools, hospitals, institutions and other public buildings. This unit allows center hung or ⅛" inset doors to be opened in both directions without damaging the frame.

Packing:

All Combination Strike and Stops are packed with ½ x 8-32 machine screws.

ANSI Cross Reference

A1882 Bronze

McKINNEY Hinge Catalog

Double Lipped Strike

McKINNEY

1-800-346-7707

www.mckinneyhinge.com

DLS-8

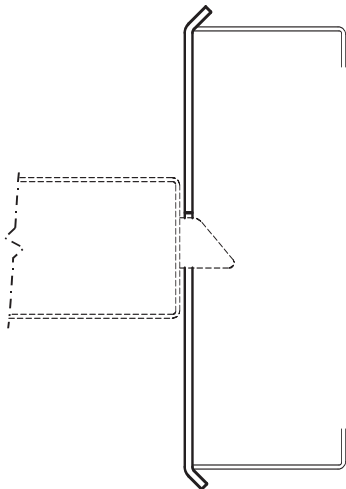
.095 gauge brass material polished and plated. Manufactured for use with cylindrical or bored locks.



Center Hung Shown

May not work with mortise locks. Consult the factory for mortise lock application.

APPLICATION



Features:

- Available in offset or center hung
- Latch bolt location for frame sizes $5\frac{3}{4}$ " and $6\frac{3}{4}$ "

Packing:

All Double Lipped Strikes are packed with $\frac{1}{2}$ x 8-32 machine screws.

Recommended for installations on hospital or nursing home toilet doors along with our EP5-J and DS-6 Emergency Stop. This unit allows center hung or $\frac{1}{8}$ " inset doors to be opened in both directions without damaging the frame.