

McKINNEY Hinge Catalog

ElectroLynx Hinge (QC Option)

McKINNEY

1-800-346-7707

www.mckinneyhinge.com

QC

The McKinney ElectroLynx Hinge is an intermediate connector which passes a constant flow of current between the source of power (jamb) and the actuated devices in the door (i.e. electric locks, exit devices, etc.) regardless of door position.

Each hinge features concealed plug connectors which eliminate the need for separate or exposed wiring. Brass eyelets add protection and durability to the ElectroLynx Hinge and common wire colors and standard connectors make installation quick and simple.

The ElectroLynx Hinge should be installed in the center position on the door. Once installed, it will give no outward indication of its function and will transmit power efficiently and reliably, as long as the wire capacity is not exceeded.

All ElectroLynx Electric Hinges are factory tested and specially packaged to minimize against damage during shipment. Installation instructions are packed with each hinge.

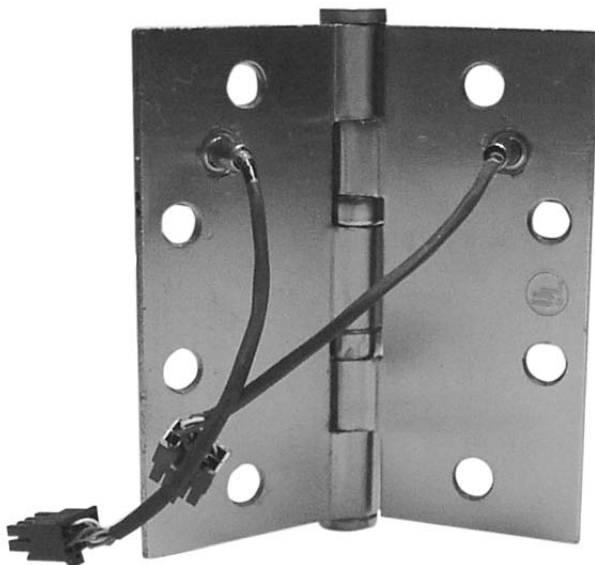
28 Gauge multi-strand wires are used. A pigtail is provided for connection to the source wiring. The wire colors are coordinated to work with other ASSA ABLOY Companies electro-mechanical hardware.

An 8 position connector is used for QC2, QC4, QC6 and QC8 wire hinges. An 8 position and 4 position connector is used for QC12 wire hinges. A QC2A wire hinge is available for power on, power off applications.

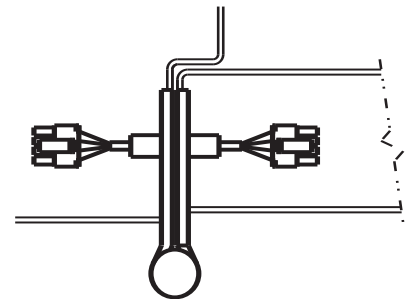
Features:

- Available up to 12 wires
- Rated 1 Amp Capacity
- Can be used in conjunction with CS hinge (QC8 wire maximum)* on most 5 Knuckle full mortise hinges
- Can be used with MM option on most 5 knuckle full mortise hinges*
- Optional MG-16 mortar guard available (mortar guard required on steel frames)
- QC2 wire hinges provided with 8 position connector for new construction, specify QC2

* Refer to individual catalog pages regarding the availability of these options



APPLICATION



**UNDERWRITERS
LABORATORY
LISTED**

McKINNEY Hinge Catalog

Concealed Circuit Electric Hinge (CC Option)

McKINNEY

1-800-346-7707

www.mckinneyhinge.com

CC

The McKINNEY Concealed Circuit Hinge is an intermediate connector which passes a constant flow of current between the source of power (jamb) and the actuated devices in the door (i.e. electric locks, exit devices, etc.) regardless of door position.

The color of the wires assists in maintaining proper circuit hookup between the power source and actuated devices during installation.

CC Electric Hinges should be installed in the center position on the door. Once installed, it will give no outward indication of its function and will transmit power efficiently and reliably, as long as the wire electrical capacity is not exceeded.

All CC Electric Hinges are factory tested and specially packaged to insure against damage during shipment. Installation instructions are packed with each hinge.

28 gauge multi-strand wire is used. It is recommended that care be exercised during connection of the leads and installation of the hinge to avoid wire damage.

The CC feature is available on most two, three and five knuckle full mortise contract grade hinges. Consult the individual catalog pages for this option feature.



REAR VIEW

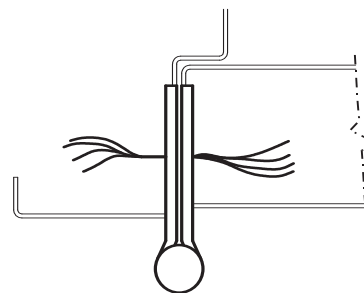
Features:

- Available with 2, 3 or 4 circuits
- 1 Amp, 24 Volts maximum each circuit continuous duty, 16.0 Amps intermittent duty (pulse)
- Can be used in conjunction with CS or MM option on most full mortise hinges
- Optional mortar guard MG-16 available
- Electric feature undetectable when hinge is installed

Wire Capacity

4 Wires	2 Circuits
6 Wires	3 Circuits
8 Wires	4 Circuits

APPLICATION



**UNDERWRITERS
LABORATORY
LISTED**

McKINNEY Hinge Catalog

Aluminum Continuous Electrified Hinge (SER & ACC Options)

McKINNEY

1-800-346-7707

www.mckinneyhinge.com

SER & ACC OPTIONS

The McKINNEY electrified continuous hinge is furnished with bonded, 4-conductor flat cable with connectors at each leaf. Each 4-conductor cable is able to carry 4 amps @ 24 volts with a 16 amp in-rush current for 300 milliseconds. To protect the cable from any overload or surge in power, each hinge is supplied with a 4 amp in-line fuse. And a wire harness is supplied with each hinge as a standard.

Two options allow variable degrees of service to be performed at the specific location of the current carrying cables via either a removable 8" or a pivoting 8" section of the hinge. Both of these options, SER and ACC are available as QC4, 8 or 12 wire configurations on our Full Mortise Aluminum Continuous Hinges.

SERVICEABLE/REMOVABLE (SER)

The hinge is furnished to be installed in three sections, allowing the current carrying cables to be serviced or replaced without removing the door from the frame.

Additionally the SER option allows the current carrying cables to be safely stored or delivered to the electrician or security contractor prior to the installation of the electrified hardware, eliminating the necessity of the electrician or security contractor being present when the doors are being hung. Product Number Example: 83"MCK25HD CL x -SER-8*

**hinges are handed*

ACCESSIBLE (ACC)

The hinge is furnished to be installed in a single section with leafs modified to pivot at the location of the current carrying cables and allow access to the cables and connected wiring. Electrical modification is in the center of the hinge.

Product Number Example:
83"MCK25HD CL x ACC-8*

**hinges are handed*

ACC is the same leaf components with a single piece (full length) gear cap... and is accessible/non-removable.

Features:

- Performance tested 1,250,000 cycles with the 4 conductor flat cable
- Each 4-conductor cable carries 4 amps @ 24 volts with a 16 amp inrush current for 300 milliseconds
- Each hinge is provided with a 4 amp in-line fuse to protect the cable from any overload or surge in power
- Flat cable conductor is warranted 5 years
- Each electrical prep is supplied with a 36" and 72" wire harness
- Available on Full Mortise Aluminum Continuous Hinges
- Works with other ASSA ABLOY ElectroLynx Products
- Electrical modification meets new SDI location at center of hinge

SER Option Shown



Product Number Example: 83"MCK25HD CL x -SER

Concealed Magnetic Monitoring (CM) is also available with the SER and ACC options.

Product Numbering Example: MCK25HD-83C x CM-SER
MCK25HD-83C x CM-ACC

Flat cable connector is warranted for five years. Failure to install the 4 amp in-line fuse voids the warranty

McKINNEY Hinge Catalog

Magnetic Monitoring Hinge (MM Option)

McKINNEY

1-800-346-7707

www.mckinneyhinge.com

MM

The McKINNEY Magnetic Monitoring Hinge is the only system on the market that permits field replacement of magnet and switch. It is a simple, dependable system which defies detection, yet is readily accessible for inspection and easy adjustment.

MM Electric Hinges should be installed in the center position on doors with three hinges or the second hinge position from the bottom on doors with four hinges. Neither switch nor operating magnet are attached to

the hinge. Non-attachment feature reduces the chance of damage during installation. Installation instructions packed with each hinge.

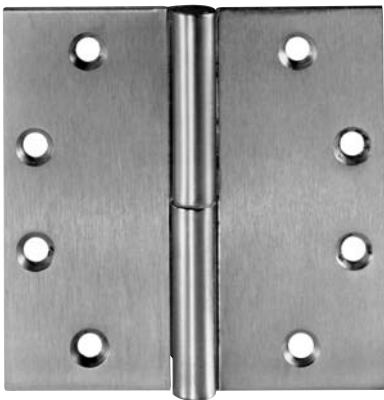
All MM Electric Hinges are individually factory pre-tested.

The MM feature is available on most two, three and five knuckle full mortise standard and heavy weight hinges, including the 1502 Spring Hinge, and our full mortise aluminum continuous hinges. Consult the individual catalog pages for this option feature.

Features:

- Switch is U.L. Listed at 6V - .25 amps; 12V - .25 amps; 24V - .125 amps; 48V - .062 amps
- For low voltage (48 volt maximum) .25 AMP AC or DC non-inductive load
- Monitoring feature undetectable when hinge is installed
- Magnetic reed concealed switch impervious to dirt and moisture
- 12" leads supplied as standard (extra lengths available)
- Narrow Stile (NS) Switch and Wide Gap Magnet options available
- Can be used in conjunction with QC option on most full mortise hinges up to QC12
- Can be used in conjunction with CC option on most full mortise hinges up to CC8 Wire

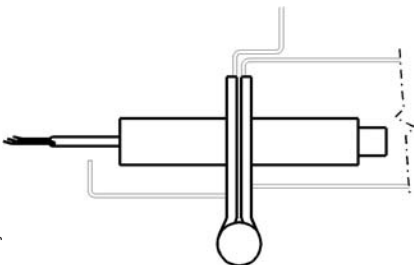
FRONT VIEW



REAR VIEW



APPLICATION



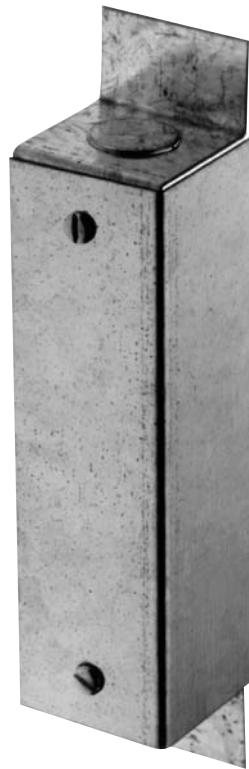
**UNDERWRITERS
LABORATORY
LISTED**

U.L. Listing

U.L. Listing	
6 V	.25 Amps
12 V	.25 Amps
24 V	.125 Amps
48 V	.062 Amps

MG-16

20 gauge galvanized sheet steel, furnished in 2C finish.



Features:

- Knock-out holes on both ends for wires to pass through
- Removable cover plate from end brackets
- Guard supplied assembled for use with electric hinges
- Fits hinge reinforcements for 4½" or 5" contact grade hinges

Recommended for use with our Concealed Circuit and Concealed Switch Hinges to protect wires. Unit to be installed in middle hinge location.

McKINNEY Hinge Catalog

Full Mortise Pocket Pivot Hinge

McKINNEY

1-800-346-7707

www.mckinneyhinge.com

PH-4

Investment cast steel base material polished and plated or furnished in prime or powder coat finish.

The Full Mortise Pocket Pivot Hinge is designed to give a flush appearance to the corridor when the door is open and recessed into a pocket in the corridor wall.

For single and cross corridor doors, the PH-4 allows the door to lay against the wall with no projection into the opening and no gap between the door and frame.

When combined with a floor closer, this application has minimum visible hardware and clearances.

The PH-4 Full Mortise Pocket Pivot Hinge meets material and performance requirements of NFPA-80 and ANSI A-156-1



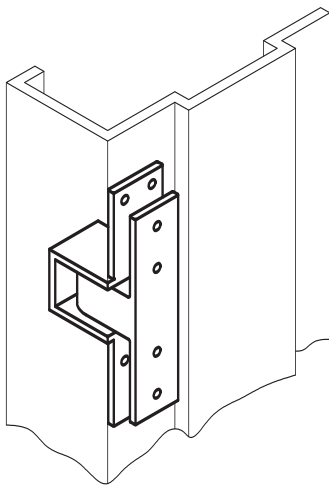
Features:

- Two thrust bearings for vertical loads
- Roller bearing for lateral support
- Listed for both hollow metal or steel covered composite fire doors rated up to 3 hours
- Listed for wood core type fire doors rated 20 minutes
- .187 Gauge
- Non-handed

Specifications

# of Hinges Required Per Door	Maximum Door Size	Door Weight (lbs)
2	3'0" x 7'0"	150
3	3'0" x 7'0"	250
4	4'0" x 7'0"	350

APPLICATION



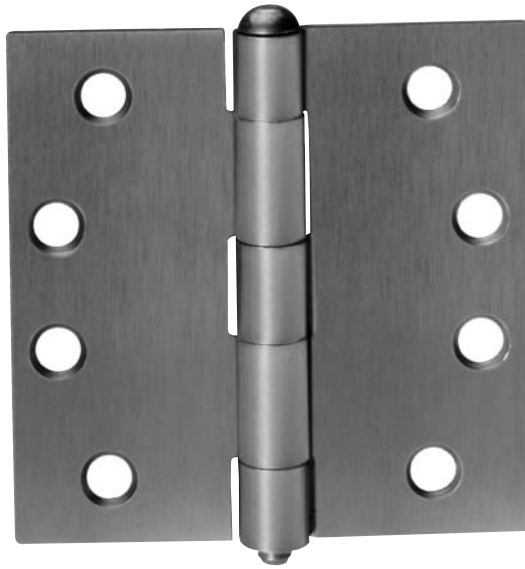
Meets or exceeds
ANSI A117.1 - 1986
*Providing Accessibility
and Usability for
Physically
Handicapped People*

Packing:

All Pocket Pivot Hinges are packed with all machine and all wood screws.

Recommended for applications where Swing Clear Hinges are aesthetically unacceptable and use of the full width of the corridor is required, such as cross corridor and smoke and fire doors as well as patient room doors.

703 STEEL



Features:

- For use on doorways of very low frequency and medium weight in industrial application
- Hinges are also available blank (without holes) for welding
- Available in plain steel with brass pins
- Full mortise on both doors and jambs
- Plain steel furnished less screws; zinc plated hinges furnished with all wood screws

Specifications

Size (Inches)	Gauge	Size of Wood Screws
3½ x 3½	.123	7/8" x 9
4 x 4	.130	1 x 12

DISCONTINUED

McKINNEY Hinge Catalog

Full Mortise Five Knuckle Plain Bearing

Light Weight Hinges

McKINNEY

1-800-346-7707

www.mckinneyhinge.com

1400 / 1414 / 1458

Steel based material planished and plated or powder coated or bonderized and primed for paint.

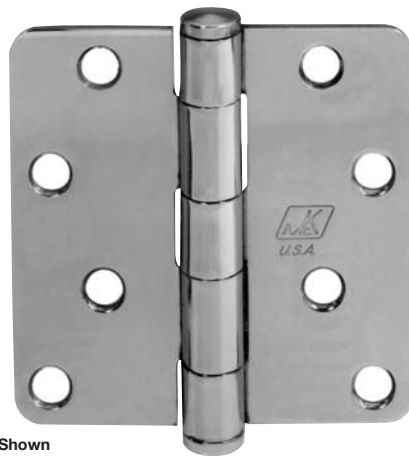
1400 - Square Corner
 1414 - 1/4" Radius
 1458 - 5/8" - 5/8" Radius

Features:

- Full mortise on both doors and jambs
- Can be supplied as bulk pack, assembled or unassembled
- Supplied with all wood screws as standard
- Machine screws available by special order



3 1/2" x 3 1/2"



1/4" Radius Shown

4 x 4 Staggered Hole Pattern

Available Sizes		
Inches	MM	Gauge
3 1/2 x 3 1/2	88.90 x 88.90	.099
4 x 4	101.60 x 101.60	.099

Note: The plated finish on this non-contract grade hinge may not match that of an architectural grade hinge.

Recommended for use on light weight, low frequency doors hung in wood jambs in residential construction.

McKINNEY Hinge Catalog

Raised Barrel Full Mortise Standard and Heavy Weight Hinges

McKINNEY

1-800-346-7707

www.mckinneyhinge.com

RB-TA2714 / RB-TA2314

Hinges for square edge doors supplied with no hole in bottom plug, side-view McKINNEY stencil and NRP feature are reversible for handing.

RB-T4A3786 / RB-T4A3386

Hinges for beveled edge doors supplied with standard plug and are handed (specify RB-TA4714 or RB-TA4314 standard weight or RB-T4A4786 or RB-T4A4386 for heavy weight).



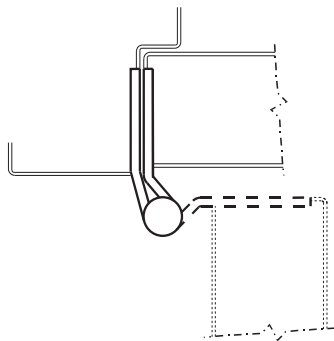
Features:

- Door leaf mortised into door
- Frame leaf may be mortised or surface applied
- Non-removable stainless steel pin
- Full mortise on hollow metal or wood doors and frames
- Handed hinge

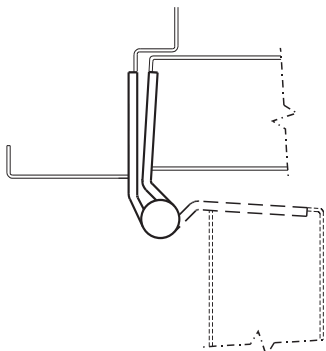
Specification Schedule

	Standard Wt	Heavy Wt
Size (Inches)	4½" x 4½"	4½" x 4½"
Size (MM)	114.30 x 114.30	114.30 x 114.30
Gauge	.134	.180

SQUARE EDGE



BEVELED EDGE



Packing:

All Raised Barrel Hinges are packed with all machine x ½ wood screws.

Standard weight recommended for use on average frequency and/or medium weight wood or metal doors in schools, hospitals or other public buildings where medium traffic is experienced.

Heavy weight recommended for use on high frequency and/or heavy wood or metal doors in schools, hospitals or other public buildings where heavy traffic is experienced.

McKINNEY Hinge Catalog

Slip-In Full Mortise Type I and Type II

Standard Weight Bearing Hinges

McKINNEY

1-800-346-7707

www.mckinneyhinge.com

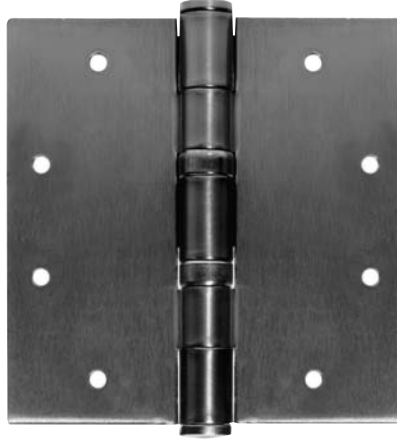
TYPE I TA-TB2314 / TA-TB2714

TA-TB2314 Slip-In Brass, Bronze or Stainless Steel. TA-TB2714 Slip-In Steel.



One leaf has standard punching and countersinking and the other leaf is drilled and tapped so it can be inserted through a slot in the door frame. Both leaves are specially swaged to provide $\frac{3}{16}$ " clearance between leaves when parallel.

TYPE II TA-TB2314 / TA-TB2714



Both leaves are drilled and tapped so they can be inserted through a slot in the door and frame. Both leaves are specially swaged to provide $\frac{5}{16}$ " clearance between the leaves when parallel.

Features:

- Non-removable stainless steel pin
- Handed hinge
- Both leaves specially swaged to provide $\frac{5}{16}$ " clearance when leaves are parallel

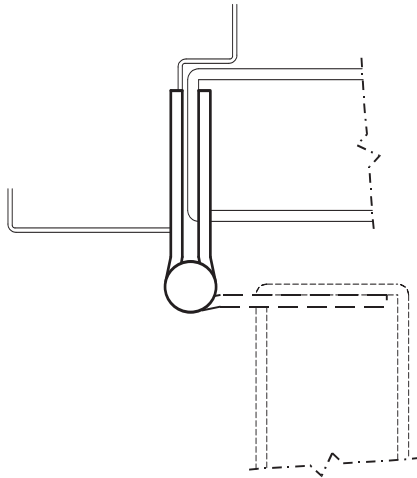
Available Sizes

Inches	MM	Gauge
4 x 4	101.60 x 101.60	.130
4½ x 4	124.30 x 101.60	.134
4½ x 4½	124.30 x 124.30	.134

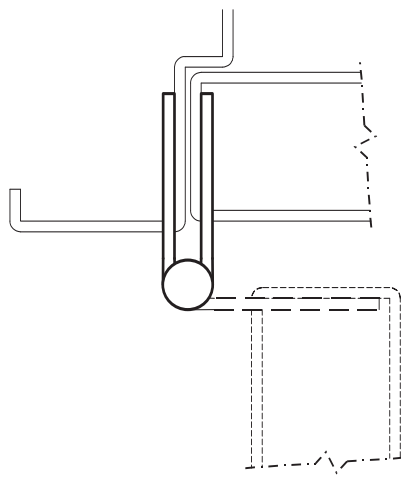
Type I Hinges Handed - Indicate Hand When Ordering

RH Shown, LH Opposite

TYPE 1



TYPE 2



Recommended for use on average frequency and/or medium weight aluminum doors with aluminum frames in schools, hospitals and other public buildings where medium traffic is experienced.

Packing:

All Slip-In Hinges are packed with all machine x $\frac{1}{2}$ wood screws.

INTERIM HINGE



Features:

- For new or retrofit installations where the door and frame are prepared for different size hinge leaves
- Available in both standard (TA2714; TA2314) and heavy weight (T4A3786; T4A3386)
- Hinges are handed

Specifications

Door Leaf	Jamb Leaf
5"	4½" trimmed to height*
4½"	4" trimmed to height*

Specifications

Jamb Leaf	Door Leaf
5"	4½" trimmed to height*
4½"	4" trimmed to height*

When ordering, specify which is the door leaf and which is the jamb leaf dimension.

*An equal amount is trimmed from the top and bottom of the leaf. For custom trimming, consult the factory.

Packing:

All Interim Hinges are packed with all machine x ½ wood screws.

Recommended for installations where door and frame are prepped for two different size hinges.