

McKINNEY Hinge Catalog

Full Mortise Single Acting Standard Weight Spring Hinge

McKINNEY

1-800-346-7707

www.mckinneyhinge.com

1502

Steel base material polished and plated or furnished in prime or powder coat.

1552

Stainless steel material polished and passivated.



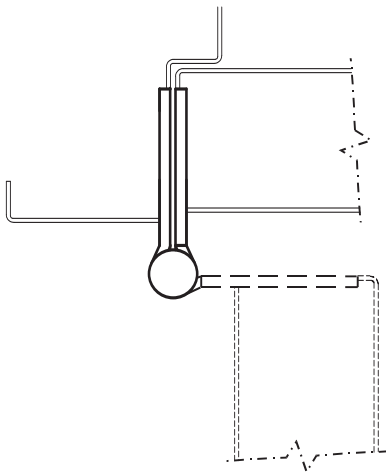
Available Options

- RC (round corner - 1/4" radius furnished unless specified otherwise)
- HT (hospital tip - on one side only*)
- MM (magnetic monitoring)
- "S" (sherardizing, our additional rust resistant base under prime coat on steel base)
- Reverse Spring Option 1502-R* (Maintains the door in the open position)
- TRS (tamper resistant option) for additional security. A tamper resistant screw is screwed into the tension ratchet after the proper tension has been set.

* Voids the UL® listing



APPLICATION



Available Sizes

| Inches | MM | Gauge |
|---------|---------------|-------|
| 4 x 4* | 101.6 x 101.6 | .130 |
| 4½ x 4 | 114.3 x 101.6 | .134 |
| 4½ x 4½ | 114.3 x 114.3 | .134 |

*4 x 4 not available in stainless.

Packing:

All 1502 and 1552 series standard weight single acting spring hinges are packed with all machine and 1/2 wood screws. For special screws consult price book on availability. This non-handed hinge series has infinite adjustment and tension can be added or reduced by means of a hex key which is provided. Locking screw provides tamper-resistance after the proper tension has been set. For unparalleled tamper resistance and security choose our TRS option. Two nylon tee bearings for vertical and lateral loads. Coil spring provides closing power.

Recommended for standard weight, medium frequency doors in place of door closers in apartments, hotels, motels, office buildings, etc.

Caution: Use of gasket for smoke or sound protection, wind condition of unbalanced air pressure may prevent door from latching. Additional closing power would be required. NFPA requires a minimum of two (2) spring hinges on labeled doors.

ANSI Cross Reference

| | |
|---------|-----------------|
| K81071 | Steel |
| K81071F | Steel |
| K51071 | Stainless Steel |
| K51071F | Stainless Steel |

McKINNEY Hinge Catalog

Full Mortise Single Acting Standard Weight Spring Hinge Set

McKINNEY

1-800-346-7707

www.mckinneyhinge.com

1522

Steel base material polished and plated or furnished in prime or powder coat finish.



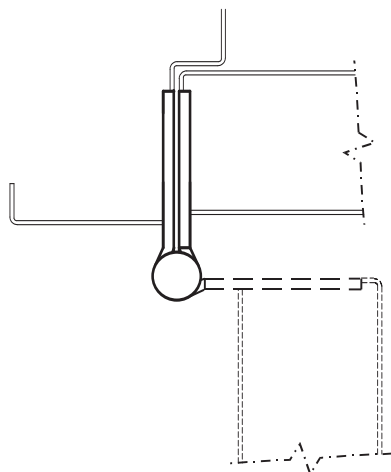
Available Options

- RC (round corner - 1/4" radius furnished unless specified otherwise)
- HT (hospital tip - on one side only*)
- MM (magnetic monitoring)
- "S" (sherardizing, our additional rust resistant base under prime coat on steel base)

* Voids the UL® listing



APPLICATION



Available Sizes

| Inches | MM | Gauge |
|---------|---------------|-------|
| 4 x 4 | 101.6 x 101.6 | .130 |
| 4½ x 4 | 114.3 x 101.6 | .134 |
| 4½ x 4½ | 114.3 x 114.3 | .134 |

Packing:

All 1522 sets of standard weight single acting spring hinges are furnished with two 1502 and one 1500 (springless) hinge with all machine and 1/2 wood screws. For special screws consult price book on availability. This non-handed hinge series has infinite adjustment and tension can be added or reduced by means of a hex key which is provided. Locking screw provides unparalleled tamper-resistance after the proper tension has been set. Two nylon tee bearings for vertical and lateral loads. Coil spring provides closing power.

ANSI Cross Reference

K81071 Steel
K81071F Steel

Recommended for standard weight, medium frequency doors in place of door closers in apartments, hotels, motels, office buildings, etc.

Caution: Use of gasket for smoke or sound protection, wind condition of unbalanced air pressure may prevent door from latching. Additional closing power would be required. NFPA requires a minimum of two (2) spring hinges on labeled doors.

McKINNEY Hinge Catalog

Half Surface Single Acting Standard Weight Spring Hinge

McKINNEY

1-800-346-7707

www.mckinneyhinge.com

1572

Steel base material polished and plated or furnished in prime or powder coat finish.



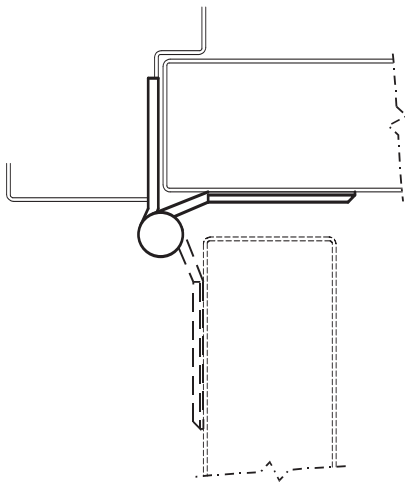
Available Options

- RC (round corner - 1/4" radius furnished unless specified otherwise)
- HT (hospital tip - on one side only*)
- MM (magnetic monitoring)
- "S" (sherardizing, our additional rust resistant base under prime coat on steel base)

* Voids the UL® listing



APPLICATION



Available Sizes

| Inches | MM | Gauge |
|---------------|---------------|-------|
| 4 1/2 x 4 1/2 | 114.3 x 114.3 | .134 |

Packing:

All 1572 Series Standard Weight Single Acting Spring Hinges are packed with all machine and 1/2 wood screws. For special screws consult price book on availability. This non-handed hinge series has infinite adjustment and tension can be added or reduced by means of a hex key which is provided. Locking screw provides unparalleled tamper-resistance after the proper tension has been set. Two nylon tee bearings for vertical and lateral loads. Coil spring provides closing power.

ANSI Cross Reference

K81081 Steel
K81081F Steel

Recommended for standard weight, medium frequency doors in place of door closers in apartments, hotels, motels, office buildings, etc.

Caution: Use of gasket for smoke or sound protection, wind condition of unbalanced air pressure may prevent door from latching. Additional closing power would be required. NFPA requires a minimum of two (2) spring hinges on labeled doors.

McKINNEY Hinge Catalog

Heavy Duty Double Acting Spring Butt Hinge

McKINNEY

1-800-346-7707

www.mckinneyhinge.com

CS1

Cast malleable iron furnished in PC (Prime Powder Coat) or AP or D4 finish.

The application is simplified and more secure by fastening the jamb flange directly to the jamb without a hanging strip. The door flange is mortised into the door. If desired the jamb flange may be applied to the surface of the jamb with a mortise in the door sufficient to receive the thickness of both flanges. This application eliminates a filler strip and is used frequently on channel iron frames. This hinge is packed with hexagonal head bolts and nuts for the clamp flange and machine screws for the jamb flange.



Features:

- Due to its heavy construction, the CS1 is useful in preventing door oscillations in extreme and variable draft conditions
- Heavy cast malleable iron with two axis's which permit the door to open 180°
- Hinge pins are securely held in place by a set screw
- Spring is protected from damage inside the all cast malleable construction
- Door and frame should be prepped using the installation instructions provided with the unit

When estimating the weight of doors, be sure to include (with the exception of hinges) all hardware, metal plates and buffers. For hollow metal doors or wood doors over 3' wide with heavy metal plates, we recommend three hinges for each door to avoid possible sagging. The third hinge should be placed near the top hinge but allow space for pin removal. The use of Hi-Duty Spring Steel Buffers will in most installations protect the door without use of heavy metal plates. This will reduce the weight of the door and load on the hinges. Spring Steel Buffers illustrated on next page.

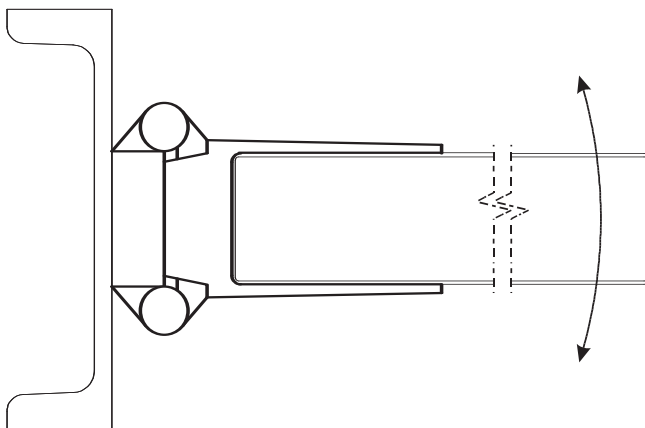
For replacement spring, order H15 Spring.

Specification Schedule

| | | |
|---------------------------|---------|---------|
| Maximum Door Thickness | 1¾" | 1¾" |
| # of Hinges for Each Door | 2 | 3 |
| Maximum Door Width | 3'0" | 4'0" |
| Door Height* | 8 to 9' | 8 to 9' |
| Maximum Door Weight | 265 | 320 |

* Minimum height for weights shown. Hinge capacity decreases as door height decreases.

APPLICATION



Recommended for use on high frequency and/or heavy wood or metal trucking doors in post offices, warehouses or other buildings where heavy traffic is experienced.

ANSI Cross Reference

K61091 Cast Iron

McKINNEY Hinge Catalog

Heavy Duty Spring Steel Buffer

McKINNEY

1-800-346-7707

www.mckinneyhinge.com

35

Steel base material polished and furnished in Nickel Plate.

McKINNEY type 35 spring steel buffers are recommended where there are two doors to a doorway which are hung as double-acting. This size buffer is suitable to any width door and

applicable to any height. Buffer should be applied backset from edge of door one inch. Specify thickness of door to indicate length of fastening bolts required. Also advise if application is for one side of door only to insure that proper fastening is supplied.

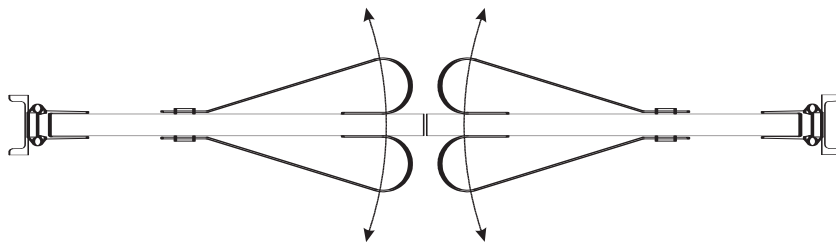


Suggested for use with CS1, Heavy Duty Double Acting Spring Butt Hinge, illustrated on previous page.

Features:

- Used to prevent door and hinges from being damaged on trucking doorways where violent use is involved
- Buffer is constructed of an 8" wide spring steel band, strong enough to resist heavy shock
- Furnished 4 buffers and keepers per set
- Available for one side of door application

APPLICATION



ANSI Cross Reference

K87431 Steel

It is recommended that if truck bumpers are of various heights, apply two or three buffers, one above the other.

McKINNEY Hinge Catalog

Heavy Duty Adjustable Tension Simplex Full Surface Double Acting Door Spring

McKINNEY

1-800-346-7707

www.mckinneyhinge.com

450 SERIES



Features:

- Coil springs made of high grade steel wire
- Adjustable tension, no special tools required
- Wrought steel brackets prevent breakage
- Economical
- Simplified method of closing doors

Dimensions

| Number | 451 | 452 | 453 |
|----------------|-----|-----|-----|
| Overall Length | 9" | 11" | 13" |

Packing:

All 450 Series are finished in 1D (black) and are packed with 1x12 wood screws. This economical series is designed to be surface applied to the door and frame.

ANSI Cross Reference

K87441 Steel

McKINNEY Hinge Catalog

Simplex Full Mortise Double Acting Spring Butt-Hinge

McKINNEY

1-800-346-7707

www.mckinneyhinge.com

1001

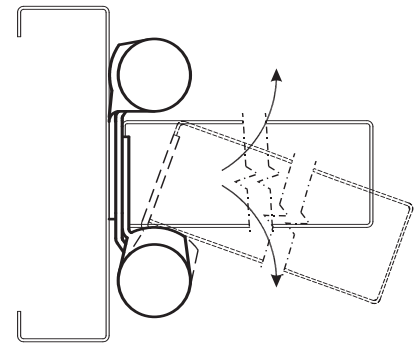
Steel base material polished and plated or furnished in prime coat finish.



Features:

- For wood doors not weighted with plate glass or heavy hardware
- Door flange mortised in door
- Jamb Flange Surface applied to the frame face
- Non-templated (sizes 3", 4", 5", 6")
- Springs are made of high grade tempered steel
- Non-handed

APPLICATION



Maximum Door Sizes and Weights

| Catalog Number | 2 Hinges Per Door | | 3 Hinges Per Door | | Door Height* |
|----------------|-------------------|------------|-------------------|------------|--------------|
| | Door Weight Lbs. | Door Width | Door Weight Lbs. | Door Width | |
| 1001 3" | 35 | 2'0" | 40 | 2'8" | 5'0" |
| 1001 4" | 60 | 2'4" | 75 | 3'0" | 6'8" |
| 1001 5" | 65 | 2'8" | 90 | 3'0" | 6'8" |
| 1001 6" | 72 | 2'8" | 105 | 3'0" | 7'0" |

* Minimum height for weights shown. Hinge capacity decreases as door height decreases.

Approximate Dimensions in Inches

| | 3" | 4" | 5" | 6" |
|---|----------------|----------------|------------------|------------------|
| A Length of Door Flange (size of hinge) | 3 | 4 | 5 | 6 |
| B Minimum Thickness of Door | 3/4 | 7/8 | 1 1/8 | 1 1/4 |
| C Maximum Thickness of Door with Chamfering | 1 | 1 1/4 | 1 1/2 | 1 3/4 |
| D Maximum Thickness of Door without Chamfering for Metal Doors | 7/8 | 1 1/8 | 1 3/8 | 1 3/4 |
| Door Specifications | | | | |
| Minimum | 3/4" x 2'2" to | 7/8" x 2'2" to | 1 1/8" x 2'4" to | 1 1/4" x 2'6" to |
| Maximum | 1" x 2'0" | 1 1/4" x 2'0" | 1 1/2" x 2'2" | 1 3/4" x 2'4" |

It is recommended that three hinges be used on door sizes as indicated above. The center hinge should be installed as close as possible to the top hinge for maximum support.

Packing:

All 1001 Series Double Acting Spring Hinges are packed all machine x 1/2 wood screws. This hinge is designed to be applied directly to the jamb without the use of a hanging strip. Door flange requires a shallow mortise.

ANSI Cross Reference

K81041 Steel

McKINNEY Hinge Catalog

Simplex Full Mortise Double Acting Spring Butt-Hinge

McKINNEY

1-800-346-7707

www.mckinneyhinge.com

1001 6 X 4 1/2

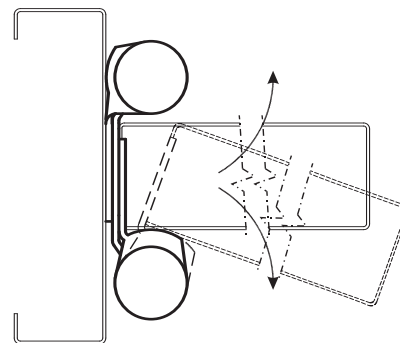
Steel base material polished and plated or furnished in prime coat finish.



Features:

- For stock hollow metal or wood doors that are 1 3/4" thick
- Door flange designed to fit standard 4 1/2 x 4 1/2" template mortise
- Jamb Flange Surface applied to the frame face
- Springs are made of high grade tempered steel
- Non-handed

APPLICATION



Specification Schedule for Door 7' High or More

| Door Width | Max Door Weight* | | Lockside Clearance* | |
|------------|------------------|--------|---------------------|------------|
| | 2 Each | 3 Each | Flat Edge | Round Edge |
| 2'0" | 96 | 145 | 1/4" | 1/16" |
| 2'2" | 89 | 135 | 3/16" | 1/16" |
| 2'6" | 77 | 125 | 3/16" | 1/16" |
| 2'8" | 72 | 115 | 1/8" | 1/16" |
| 3'0" | 64 | 105 | 1/8" | 1/16" |

*Minimum height for weights shown. Hinge capacity decreases as door height decreases.

It is recommended that three hinges be used on door sizes as indicated above. These listed weights include a margin of safety. Minimum clearance required on edge of door and frame on lock side. Hinge side clearance, allow 1/4" per door because of jamb flange and hinge body not being mortised. The center hinge should be installed as close as possible to the top hinge for maximum support. Hinge capacity decreases as door height decreases.

Packing:

All 6x4 1/2" 1001 Series Double Acting Spring Hinges are packed all machine x 1/2 wood screws. This hinge is designed to be applied directly to the jamb without the use of a hanging strip. Door flange requires a shallow mortise.

ANSI Cross Reference

K81151 Steel

McKINNEY Hinge Catalog

Simplex Full Mortise Double Acting Spring Butt-Hinge

McKINNEY

1-800-346-7707

www.mckinneyhinge.com

9001

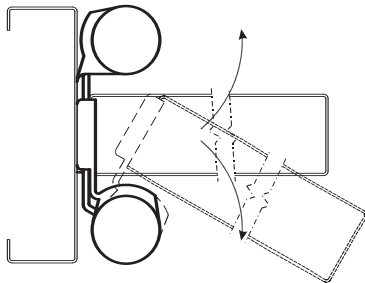
Steel base material polished and plated or furnished in prime coat finish.



Features:

- For wood or metal doors of heavy construction.
Note: For stock hollow metal doors, use 6x4½ 1001
- Jamb Flange Surface applied to the frame face
- Springs are made of high grade tempered steel
- Non-handed

APPLICATION



Specifications for 8" 9001

| Door Weight | Door Width | # Hinges/Door |
|---|------------|---------------|
| 103 | 3'6" | 2 |
| 143 | 4'0" | 3 |
| 1½" to 2" Door Thickness 7'0" Door Height* | | |

* Minimum height for weights shown. Hinge capacity decreases as door height decreases.

Packing:

All 9001 Series Double Acting Spring Hinges are packed all machine x ½ wood screws. For special screws consult price book on availability. This hinge is designed to be applied directly to the jamb without the use of a hanging strip. Door flange requires a deeper mortise than a 1001.

ANSI Cross Reference

K81041 Steel

It is recommended that three hinges be used on door sizes as indicated above. The center hinge should be installed as close as possible to the top hinge for maximum support.

McKINNEY Hinge Catalog

Simplex Double Acting Clamp Flange Spring Butt-Hinge

McKINNEY

1-800-346-7707

www.mckinneyhinge.com

19001

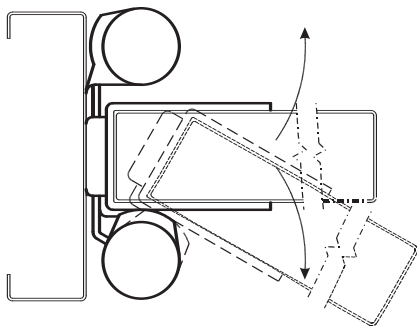
Steel base material polished and plated or furnished in prime coat finish.



Features:

- Designed for use on trucking doorways
- Springs are made of high grade tempered steel
- Channels are spot welded and riveted to flange for additional strength

APPLICATION



Specifications for 8" 19001

| Door Weight | Door Width | # Hinges/Door |
|---|------------|---------------|
| 100 | 3'6" | 2 |
| 140 | 4'0" | 3 |
| Minimum 3½" Door Style Width 7'0" Door Height* | | |

* Minimum height for weights shown. Hinge capacity decreases as door height decreases.

Packing:

All 19001 Series Double Acting Spring Hinges are packed with Hex Head through bolts, nuts and all wood screws. The clamp flange is attached to the door surface with through bolts for greater security of fastenings.

ANSI Cross Reference

K81111 Steel

If doors are extra heavy, we recommend three hinges per door. The third hinge should be installed as close as possible to the top hinge as conditions will permit for maximum support. For doors subjected to severe shock, we recommend the CS1 Spring Hinge.

McKINNEY Hinge Catalog

Simplex Half Surface Double Acting Spring Butt-Hinge

McKINNEY

1-800-346-7707

www.mckinneyhinge.com

HS1001

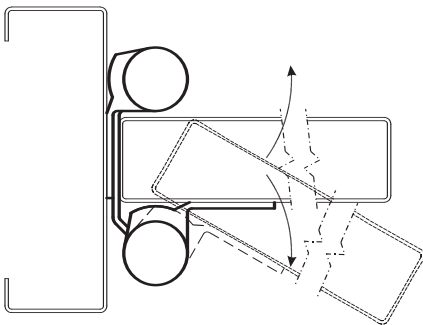
Steel base material polished and plated or furnished in prime coat finish.



Features:

- For thin plywood doors or gates where screws will not hold in edge of door
- Does not require a hanging strip
- Non-Templated (sizes 3", 4")
- Springs are made of high grade tempered steel
- Non-handed

APPLICATION



Specifications for 3" HS1001

| Door Weight | Door Width | # Hinges/Door |
|--|------------|---------------|
| 35 | 2'0" | 2 |
| 38 | 2'8" | 3 |
| 3/4" to 1" Door Thickness 5'0" Door Height* | | |

* Minimum height for weights shown. Hinge capacity decreases as door height decreases.

Specifications for 4" HS1001

| Door Weight | Door Width | # Hinges/Door |
|--|------------|---------------|
| 60 | 2'8" | 2 |
| 75 | 3'0" | 3 |
| 7/8" to 1 1/4" Door Thickness 6'8" Door Height* | | |

* Minimum height for weights shown. Hinge capacity decreases as door height decreases.

Packing:

All Half Surface 1001 Series Double Acting Spring Hinges are packed with all wood screws. This hinge is designed for one flange to be applied to the surface of door and other to the surface of jamb.

ANSI Cross Reference

K81131 Steel

It is recommended that three hinges be used on door sizes as indicated above. The center hinge should be installed as close as possible to the top hinge for maximum support.